

Request for Construction Change
Change Order No. 1

City of Franklin	Contract No.	<u>2015-0002</u>
Engineering Office	Project	<u>PIN 108409.00</u>
109 Third Avenue South		<u>STP-EN-106(22)</u>
Franklin, TN 37064		<u>94014—3230-04</u>

Whereas, we Eutaw Construction Company, Inc. entered into a contract with the CITY OF FRANKLIN, on March 8, 2016, for the construction by said Contractor of the above designated contract; and Whereas, certain items of construction encountered are not covered by the original contract, we desire to submit the following additional items of construction to be performed by the Contractor and paid by the City at the prices scheduled therefore below:

Reason for Change Order:

1. To add calendar days to the original contract time due to utility conflicts.
2. To add calendar days to the original contract time due to additional items of work.
3. Addition of pay item to adjust existing valve boxes for water line to include the cost of riser rings.
4. Addition of pay item for Type A Warning Lights to be used for traffic control and safety.
5. Addition of pay item to use Fixture Type A (LED) for street lighting and removing items Fixture Type A (Metal Halide) and Fixture Type B (Metal Halide) resulting in no additional cost to the contract.
6. Addition of pay item for Portable Barrier Rail Delineators to be used for traffic control and safety.
7. Removal of pay item for Vertical Panels which were replaced by Portable Barrier Rail Delineators due to sight distance issues for residents and cost savings to project.
8. Addition of pay item for 1.25" HDPE Casing Pipe used to be used to encase water services bored under Hillsboro Rd on 18" waterline.
9. Removal of pay item for 1.5" Steel Casing Open Cut Method.
10. Addition of pay item to be used for tree removal and disposal for trees off easement that had roots damaged on easement during sewer installation.
11. Addition of pay item for Temporary Barricades Type III to be used for traffic control and safety.
12. Addition of pay item for Additional Work (4" Core Drill into Manholes) to be used to core additional holes in vaults for AT&T's conduit.
13. Addition of pay items for 2", 3", and 4" Diameter Conduit (Jack and Bore) to be used as an alternative to open cutting Hillsboro Road and reduce impact on public.
14. Partial removal of pay items Trench Type C, 4" SCHD 40 PVC, Backfill Material (Flowable Fill), and Temporary Asphalt (Cold Mix) that are being replaced by the Conduit 4" Diameter (Jack and Bore) item.
15. Addition of pay item for Removal of Structures and Obstructions (Existing 36" Pipe Headwall) to be used to remove headwall that is in conflict with gateway sign construction.
16. Addition of pay item for Class A Concrete (Pipe Endwalls), Steel Bar Reinforcement (Pipe Endwalls), and Structural Steel (Pipe Endwalls) to be used to replace headwall at gateway sign construction.
17. Addition of pay items- Jacked and Bored Conduit (2"), Conduit 3" (Jack and Bore), Directional Bore 4"/Flex Sleeve, Conduit 2" (Jack and Bore), Conduit 3" (Jack and Bore), Directional Bore 2"/Flex Sleeve, and Directional Bore 3"/Flex Sleeve.
18. Removal of pay items related to open cut conduit installation- Backfill Material (Flowable Fill), Direct Burial Conduit, Trench and Backfill in Street, Trench and Backfill in Asphalt and Lawn, Temporary Asphalt (Cold Mix), and Trench Type C... all of which were replaced by boring items to reduce traffic impact.
19. Addition of pay items for erosion control: Temporary Mulch Filter Berm, Rock Check Dam, Enhanced Rock Check Dam and Sandbags.

Attachments (List documents supporting change):

1. Eutaw delay request worksheet
2. TDOT LP Change Order documents (TDOT Change Order #1, dated 8/8/2016, TDOT Change Order #2, dated 8/8/2016, TDOT Change Order #3, dated 8/9/2016, TDOT Change Order #4, dated 9/27/2016, TDOT Change Order #5, dated 9/27/16, TDOT Change Order #6, dated 11/3/2016, TDOT Change Order #7, dated 11/3/2016, TDOT Change Order #8, dated 11/3/2016, TDOT Change Order #9, dated 11/11/2016, TDOT Change Order #10, dated 2/23/17, TDOT Change Order #11, dated 2/23/17.

Item No.	Description of Work	Unit	Estimate Quantity	Unit Price	Amount
611-01.23	Adjustment of Valve Box	EA	10	\$252.00	\$2520.00
712-05.01	Warning Lights (Type A)	EA	10	\$47.25	\$472.50
712-06.01	Vertical Panels	SF	(-1202)	\$13.00	(\$-15,626.00)
712-04.50	Portable Barrier Rail Delineator	EA	75	\$40	\$3,000.00
714-08.09	Light Pole Material Only, Fixture Type A (Metal Halide)	EA	(-55)	\$8,740.00	(\$-480,700.00)
714-08.10	Light Pole Material Only, Fixture Type B (Metal Halide)	EA	(-3)	\$8,740.00	(\$-26,340.00)
714-08.09	Light Pole Material Only, Fixture Type A (LED)	EA	55	\$8,740.00	\$480,700.00
714-08.10	Light Pole Material Only, Fixture Type B (LED)	EA	3	\$8,740.00	\$26,340.00
795-05.14	HDD 1.25 Inch HDPE Casing Pipe-Uncon	LF	700	\$34.00	\$23,800.00
795-15.26	1-1/2" Steel Casing Pipe Open Cut Method	LF	(-500)	\$17.00	(\$-8,500.00)
201-07.01	Removal and Disposal of Brush and Trees	EA	9	\$2,100	\$18,900.00
712-07.03	Temporary Barricades (Type III)	LF	200	\$25.75	\$5,150.00
104-03.99	Additional Work (4 inch Core Drill into Electric Manhole	UNIT	6	\$220.00	\$1,320.00
730-12.15	Conduit 4" Diameter (Jack and Bore)	LF	112	\$49.30	\$5,521.60
790-42.43	Trench Type C	LF	(-56)	\$41.00	(\$-2,296.00)
793-13.07	4 Inch Schedule 40 PVC	LF	(-112)	\$3.80	(\$-425.60)
204-08.01	Backfill Material (Flowable Fill)	CY	(-21.78)	\$110.00	(\$-2,395.80)
771-30.28	Temporary Asphalt (Cold Mix)	SF	(-168)	\$3.00	(\$-504.00)
201-01.56	Removal of Structures and Obstructions (Existing 36" Pipe Headwall)	LS	1	\$3,815.00	\$3,815.00
611-07.01	Class A Concrete (Pipe Endwalls)	CY	3.03	\$825.00	\$2,499.75
611-07.02	Steel Bar Reinforcement (Pipe Endwalls)	LB	261	\$2.00	\$522.00
611-07.03	Structural Steel (Pipe Endwalls)	LB	148	\$4.75	\$703.00
714-03	Jacked or Bored Conduit (2 Inch)	LF	820	\$36.00	\$29,520.00
730-12.14	Conduit 3 Inch (Jack and Bore)	LF	930	\$45.00	\$41,850.00
793-16.04	Directional Bore 4 Inch/Flex Sleeve	LF	220	\$49.30	\$10,846.00
730-12.13	Conduit 2 Inch (Jack and Bore)	LF	100	\$36.00	\$3,600.00
730-12.14	Conduit 3 Inch (Jack and Bore)	LF	240	\$45.00	\$10,800.00
798-04.02	Directional Bore 2 Inch/Flex Sleeve	LF	580	\$36.00	\$20,880.00
798-04.03	Directional Bore 3 Inch/ Flex Sleeve	LF	580	\$45.00	\$26,100.00
204-08.01	Backfill Material (Flowable Fill) Participating	CY	(-237.78)	\$110.00	(\$-26,155.80)
204-08.01	Backfill Material (Flowable Fill) Non-Participating	CY	(-177.78)	\$110.00	(\$-19,555.80)
714-03.01	Direct Burial Conduit (2" PVC SCHED40)	LF	(-820)	\$3.80	(\$-3,116.00)
714-03.15	Trench and Backfill in Street	LF	(-431)	\$41.00	(\$-17,671.00)
714-03.17	Trench and Backfill in Asphalt and Lawn	LF	(-268)	\$45.00	(\$12,060.00)
730-12.03	Conduit 3 Inch Diameter PVC	LF	(-930)	\$11.25	(\$-10,462.50)
790-42.08	Direct Burial Conduit 2" PVC SCHED 40	LF	(-680)	\$2.60	(\$-1,768.00)
790-42.09	Direct Burial Conduit 3" PVC SCHED 40	LF	(-820)	\$3.40	(\$-2,788.00)
793-13.07	4" SCHED 40 PVC	LF	(-220)	\$3.80	(\$-836.00)
771-30.28	Temporary Asphalt (Cold Mix) Participating	SF	(-1,800)	\$3.00	(\$-5,400.00)

771-30.28	Temporary Asphalt (Cold Mix) Non-Participating	SF	(-2,060)	\$3.00	(\$-6,180.00)
790-42.43	Trench Type C	LF	(-800)	\$41.00	(\$-32,800.00)
209-01.31	Temporary Mulch Filter Berm	CY	300	\$5.00	\$1,500.00
209-08.07	Rock Check Dam	EA	12	\$375.00	\$4,500.00
209-08.08	Enhanced Rock Check Dam	EA	8	\$525.00	\$4,200.00
209-09.01	Sandbags	EA	250	\$4.40	\$1,100.00
TOTAL					\$54,579.35

CHANGE IN CONTRACT PRICE:
Original Contract Price \$11,995,005.13
Net Increase (Decrease) from previous Change Orders No. 0 to 0: *****
Contract Price prior to this Change Order: \$11,995,005.13
Net increase (decrease) of this Change Order: \$54,579.35
Contract Price with all approved Change Orders: \$12,049,584.48

CHANGE IN CONTRACT TIMES:
Original Contract Times: 430 Calendar Days Substantial Completion: ***** Ready for final payment: June 21, 2017
Net change from previous Change Orders No. 0 to 0 to: Substantial Completion: ***** Ready for final payment: *****
Contract Times prior to this Change Order: Substantial Completion: ***** Ready for final payment: June 21, 2017
Net increase (decrease) this Change Order: Substantial Completion: ***** Ready for final payment: 154 Calendar Days
Contract Times with all approved Change Orders: Substantial Completion: ***** Ready for final payment: November 22, 2017 (584 Days)

Now, Therefore, We, Eutaw Construction Company, Inc. Contractors, hereby agree to this Supplemental Agreement consisting of the above mentioned items and prices, and agree that this Supplemental Agreement is hereby made a part of the original contract and will be performed by this Contractor in accordance with specifications thereof, and that the original contract remain in full force and effect, except in so far as specifically modified by this supplemental Agreement.

RECOMMENDED FOR APPROVAL BY:

By: _____ By: _____ By: _____
 ENGINEER CITY PROJECT MANAGER CITY ENGINEER OR DESIGNEE

Date: _____ Date: _____ Date: _____

ACCEPTED:

By: _____
 CONTRACTOR (Authorized Signature)

Date: _____

APPROVED:

By: _____
 OWNER (Authorized Signature)

Date: _____

Eutaw Contract Time Delay Request

Water & Sewer Crew Delays - East Side of Hillsboro			
No.	Description	Work Days	Calendar Days
1	Encountered an old FM near MH F-2 that had to be verified. After (2) days, COF deemed it to be dead.	2.0	3.0
2	Encountered sinkhole @ Claude Yates. Took approximately (1) week to receive direction. Then, another 1 week to repair.	10.0	14.0
3	Encountered a second sinkhole just past Claude Yates. Took approximately (3) days for geotech to advise and another (2) days to repair.	5.0	7.0
4	Encountered an existing concrete vault that was not shown on the plans. After (1) day of investigating, and after no one claimed ownership, we decided to demolish. It took us another (1) day to demolish it.	2.0	3.0
5	Waterline in front of the high school was in conflict with our sewer alignment and therefore had to be killed before we could proceed. We had to locate valves, pour reverse kickers, and schedule night work shutdown of the water before proceeding.	5.0	7.0
6	After installing approximately 500' of 6" water main, it was determined the light pole bases would be in conflict with this alignment. Thus, we had to remove the 500' of 6" water main and reinstall on a different alignment.	5.0	7.0
7	The waterline configuration @ Joel Cheek had to be changed due to the existing lines deviating from what was shown on the plans. Several meetings were required before we finally settled on a resolution and were given direction.	10.0	14.0
Sub-Totals --->		39.0	55.0

Water & Sewer Crew Delays - East Side of Hillsboro			
No.	Description	Work Days	Calendar Days
1	We were notified over the Christmas holidays that the Mack Hatcher curb alignment was going to be added to our project. Thus, we were asked to shut-down installation of the D-Line storm until further notice. It took about a week to come to a resolution with the design team.	5.0	7.0
2	Roots and limbs from existing trees, that were located on the backside of the ROW, were in conflict with our proposed sewer alignment. We were directed to halt production on our sewer until an decision could be made by an arborist as to whether the trees could safely remain.	30.0	42.0
3	We encountered an existing 4" electrical conduit that was not shown on the plans. After approximately (2) days of waiting on MTEMC to relocate/adjust, we were able to go back to work.	2.0	3.0
4	When getting ready to make our final sewer tie-in @ G-10, it was determined by water management that the tie-in needed to happen at night. Thus, we sent our crew home to rest but then this decision was later over-ruled by COF Engineering due to noise concerns.	0.5	1.0
5	Approximately 350' of 8" water main was added to Rebel Circle. We had to pot-hole, string pipe, install pipe, install fittings, install fire hydrant, saw cut driveways, etc.	10.0	14.0
6	Had to hold-off installing water across Ms. Holland's yard until she was gone on a weekend. We were asked by water management to wait until a weekend that she would be gone to make this crossing.	3.0	4.0
Sub-Totals --->		50.5	71.0

Storm Drain Crew Delays - East Side of Hillsboro			
No.	Description	Work Days	Calendar Days
1	An existing fiber optic cable, that was not shown to be in conflict on the plans, was actually in conflict with our 6'x4' box culvert. Before this activity could start, the conduit infrastructure had to be installed on the east side so AT&T could transfer their service to the new system.	148.0	207.0

Sub-Totals --->		148.0	207.0

Storm Drain Crew Delays - West Side of Hillsboro			
No.	Description	Work Days	Calendar Days
1	The existing water main, that was not shown to be in conflict on the plans, was actually in conflict with our 42" Drainage Pipe. Due to this conflict, we were required to install the new 18" water main in this area prior to beginning this activity.	71.0	99.0
2	An existing sewer main, that was not shown to be in conflict on the plans, was actually located several feet to the west which put it in conflict with the proposed storm alignment. The new sewer had to be 100% complete before we could continue with storm installation.	24.0	34.0
Sub-Totals --->		95.0	133.0



**Supplemental Agreement and/or Request for Construction Change
 Change Order Request # 1**

Project Title/Termini:	Hillsboro Road Widening - Phase II	
Owner:	City of Franklin, Tennessee	PIN: 108409.00
Address:	109 3 rd Avenue South	State Project No.: 94014-3230-04
	Franklin, TN 37064	Federal Project No.: STP-EN-106(22)
Date Prepared:	7/7/2016	Contract No.: 2015-0002
		County: Williamson

Whereas, we Eutaw Construction Company, Inc. with Travelers Casualty and Surety Company of America, as a Surety, entered into a contract with City of Franklin, Tennessee, on March 8th, 2016, for the construction by said Contractor of the above designated contract; and *Whereas*, certain items of construction encountered, are not covered by the original contract, we desire to submit the following additional items of construction to be performed by the Contractor and paid by the Owner at the price(s) scheduled therefore below:

The purpose of this Change Order is to:

Add additional pay items to allow adjustment of existing water valves within the temporary widening areas and add warning lights to help nighttime visibility of traffic control lane tapers.

As a result of this Change Order, contract time shall:

Not Change, Increase by _____ days, Decrease by _____ days

Original contraction Completion Time: 430 days (Date: 6/21/2017)

Approved Change Orders: 0

Current Change Order: 0

Contract Completion Time with Change Orders: 430 days (Date: 6/21/2017)

Unit prices listed below include labor, materials, profit, overhead, and incidentals necessary to complete this work. A separate attached spreadsheet with the same information may be used in lieu of the table below.

Item No.	Description	Unit	Current/ Pending Quantities	Revised Quantities	QTY Over + QTY Under -	Contract Price	Net Amount Due Change
611-01.23	Adjustment of Valve Box	EA	0	10		\$252.00	\$2520.00
712-05.01	Warning Lights (Type A)	EA	0	10		\$47.25	\$472.50
						\$	\$
						\$	\$
						\$	\$

Bid Contract Amount: \$11,995,005.13

Current Change Order: \$2992.50




Approved Change Orders: \$ _____
Pending Change Orders: \$ _____
Total Change Orders to Date: \$2,992.50

**Supplemental Agreement and/or Request for Construction Change
Change Order Request # 1**

Project Title/Termini: Hillsboro Road Widening - Phase II
Owner: City of Franklin, Tennessee PIN: 108409.00
Address: 109 3rd Avenue South State Project No.: 94014-3230-04
Franklin, TN 37064 Federal Project No.: STP-EN-106(22)
Date Prepared: 7/7/2016 Contract No.: 2015-0002
County: Williamson

Now, Therefore, We, Eutaw Construction Company, Inc., Contractors, and Travelers Casualty and Surety Company of America, Surety, hereby agree to the Supplemental Agreement consisting of the above mentioned items and prices, and agree that this Supplemental Agreement is hereby made a part of the original contract and will be performed by this Contractor in accordance with specifications thereof, and that the original contract remain in full force and effect, except insofar as specifically modified by this Supplemental Agreement.


Recommended for Approval

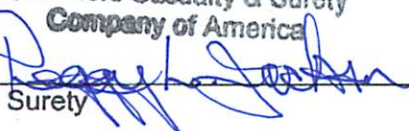
By:  Date: 7/29/16
Engineer/CEI

Approved for Eligibility:

APPROVED
By: Denise Baker at 11:11 am, Aug 01, 2016
Local Programs Planner Date

Approved By:

By:  Date: August 5th, 2016
Contractor
Travelers Casualty & Surety
Company of America

By:  Date: 8/5/2016
Surety Attorney-in-Fact

APPROVED
By: William Banks at 3:43 pm, Aug 08, 2016
Owner Date

TENNESSEE PAY ITEM REPORT

Gresham Smith & Partners

Date: 07/29/2016
 Time: 09:10:00

Pay Item: 712-05.01 WARNING LIGHTS (TYPE A)

TOTALS	High:	100.00	Wtd. Average:	13.65	Total Quan:	224.00	Count:	43
	Low:	4.00	Strt. Average:	15.52	Avg. Quan:	5.21	Median:	5.00
			Std Deviation:	19.19				

Contractor	County	Position	Bid Date	Quantity	Unit	Unit Price	Extension
lojac enterprises, inc.	williamson	1	08/30/2013	4.00	EACH	15.00	60.00
roads, llc	williamson	2	08/30/2013	4.00	EACH	50.00	200.00
sessions paving company	williamson	3	08/30/2013	4.00	EACH	30.00	120.00
fisher construction company	williamson	4	08/30/2013	4.00	EACH	33.00	132.00
civil constructors, inc.	williamson	5	08/30/2013	4.00	EACH	37.80	151.20
strawser construction, inc.	davidson , williamson	1	02/14/2014	8.00	EACH	5.10	40.80
hudson construction company	davidson , williamson	2	02/14/2014	8.00	EACH	5.00	40.00
ny-mac enterprises, inc.	davidson , williamson	3	02/14/2014	8.00	EACH	5.00	40.00
vance brothers, inc.	davidson , williamson	4	02/14/2014	8.00	EACH	5.00	40.00
eubank asphalt paving and sealing	williamson	1	04/04/2014	4.00	EACH	5.00	20.00
tennessee valley paving co., inc.	williamson	2	04/04/2014	4.00	EACH	5.00	20.00
lojac enterprises, inc.	williamson	3	04/04/2014	4.00	EACH	5.00	20.00
eubank asphalt paving and sealing	williamson	1	04/04/2014	4.00	EACH	5.00	20.00
tennessee valley paving co., inc.	williamson	2	04/04/2014	4.00	EACH	5.00	20.00
lojac enterprises, inc.	williamson	3	04/04/2014	4.00	EACH	5.00	20.00
eubank asphalt paving and sealing	hickman, williamson	1	05/23/2014	8.00	EACH	5.00	40.00
tennessee valley paving co., inc.	hickman, williamson	2	05/23/2014	8.00	EACH	5.00	40.00
lojac enterprises, inc.	hickman, williamson	3	05/23/2014	8.00	EACH	5.00	40.00
concrete strategies, llc	williamson	1	12/05/2014	4.00	EACH	50.00	200.00
thomson & thomson, inc	williamson	2	12/05/2014	4.00	EACH	11.00	44.00
brown builders inc	williamson	3	12/05/2014	4.00	EACH	34.00	136.00
eubank asphalt paving and sealing	williamson	1	03/27/2015	4.00	EACH	5.00	20.00
lojac enterprises, inc.	williamson	2	03/27/2015	4.00	EACH	5.00	20.00
jones brothers, inc.	williamson	3	03/27/2015	4.00	EACH	5.00	20.00
tennessee valley paving co., inc.	williamson	4	03/27/2015	4.00	EACH	50.00	200.00
eubank asphalt paving and sealing	williamson	1	08/28/2015	8.00	EACH	5.00	40.00
tennessee valley paving co., inc.	williamson	2	08/28/2015	8.00	EACH	10.00	80.00
lojac enterprises, inc.	williamson	3	08/28/2015	8.00	EACH	7.00	56.00
lojac enterprises, inc.	williamson	1	12/04/2015	4.00	EACH	5.00	20.00
jones brothers, inc.	williamson	2	12/04/2015	4.00	EACH	4.00	16.00
rogers group, inc.	williamson	1	02/12/2016	4.00	EACH	5.00	20.00
lojac enterprises, inc.	williamson	2	02/12/2016	4.00	EACH	5.00	20.00
eubank asphalt paving and sealing	williamson	3	02/12/2016	4.00	EACH	5.00	20.00
tennessee valley paving co., inc.	williamson	4	02/12/2016	4.00	EACH	100.00	400.00
lojac enterprises, inc.	williamson	1	04/01/2016	4.00	EACH	5.00	20.00
tennessee valley paving co., inc.	williamson	2	04/01/2016	4.00	EACH	25.00	100.00
lojac enterprises, inc.	williamson	1	06/24/2016	8.00	EACH	10.00	80.00
rogers group, inc.	williamson	2	06/24/2016	8.00	EACH	5.25	42.00
tennessee valley paving co., inc.	williamson	3	06/24/2016	8.00	EACH	25.00	200.00
lojac enterprises, inc.	williamson	1	06/24/2016	4.00	EACH	5.00	20.00
tennessee valley paving co., inc.	williamson	2	06/24/2016	4.00	EACH	25.00	100.00
lojac enterprises, inc.	williamson	1	06/24/2016	4.00	EACH	5.00	20.00
tennessee valley paving co., inc.	williamson	2	06/24/2016	4.00	EACH	25.00	100.00

Report Settings	
Selected Pay Item:	712-05.01 :warning lights (type a)
Include Bidders:	All Bids
Sel County/Region:	WILLIAMSON county
Include Lettings:	Last 36 Months
Quantity Range:	From 0.00 to 10.00 EACH
Omit High/Low Price:	NO
Averages Type:	Weighted Average



POWER OF ATTORNEY

Farmington Casualty Company
Fidelity and Guaranty Insurance Company
Fidelity and Guaranty Insurance Underwriters, Inc.
St. Paul Fire and Marine Insurance Company
St. Paul Guardian Insurance Company

St. Paul Mercury Insurance Company
Travelers Casualty and Surety Company
Travelers Casualty and Surety Company of America
United States Fidelity and Guaranty Company

Attorney-In Fact No. 229499

Certificate No. 006203195

KNOW ALL MEN BY THESE PRESENTS: That Farmington Casualty Company, St. Paul Fire and Marine Insurance Company, St. Paul Guardian Insurance Company, St. Paul Mercury Insurance Company, Travelers Casualty and Surety Company, Travelers Casualty and Surety Company of America, and United States Fidelity and Guaranty Company are corporations duly organized under the laws of the State of Connecticut, that Fidelity and Guaranty Insurance Company is a corporation duly organized under the laws of the State of Iowa, and that Fidelity and Guaranty Insurance Underwriters, Inc., is a corporation duly organized under the laws of the State of Wisconsin (herein collectively called the "Companies"), and that the Companies do hereby make, constitute and appoint

S. Lyle Bates, Jr., Jerry Eugene Horner, Jr., Jim A. Armstrong, Jerry G. Veazey, Jr., Jason J. Young, Trina Cobb, Linda D. Whittington, Peggy L. Jackson, William E. Howard Jr., Brody Eric Buckley, Angela Bullie, Stephen Wesley Price, Jr., and Amanda Jean Charfauros

of the City of Jackson, State of Mississippi, their true and lawful Attorney(s)-in-Fact, each in their separate capacity if more than one is named above, to sign, execute, seal and acknowledge any and all bonds, recognizances, conditional undertakings and other writings obligatory in the nature thereof on behalf of the Companies in their business of guaranteeing the fidelity of persons, guaranteeing the performance of contracts and executing or guaranteeing bonds and undertakings required or permitted in any actions or proceedings allowed by law.

IN WITNESS WHEREOF, the Companies have caused this instrument to be signed and their corporate seals to be hereto affixed, this 5th day of June, 2015.

Farmington Casualty Company
Fidelity and Guaranty Insurance Company
Fidelity and Guaranty Insurance Underwriters, Inc.
St. Paul Fire and Marine Insurance Company
St. Paul Guardian Insurance Company

St. Paul Mercury Insurance Company
Travelers Casualty and Surety Company
Travelers Casualty and Surety Company of America
United States Fidelity and Guaranty Company



State of Connecticut
City of Hartford ss.

By: [Signature]
Robert L. Raney, Senior Vice President

On this the 5th day of June, 2015, before me personally appeared Robert L. Raney, who acknowledged himself to be the Senior Vice President of Farmington Casualty Company, Fidelity and Guaranty Insurance Company, Fidelity and Guaranty Insurance Underwriters, Inc., St. Paul Fire and Marine Insurance Company, St. Paul Guardian Insurance Company, St. Paul Mercury Insurance Company, Travelers Casualty and Surety Company, Travelers Casualty and Surety Company of America, and United States Fidelity and Guaranty Company, and that he, as such, being authorized so to do, executed the foregoing instrument for the purposes therein contained by signing on behalf of the corporations by himself as a duly authorized officer.

In Witness Whereof, I hereunto set my hand and official seal. My Commission expires the 30th day of June, 2016.



[Signature]
Marie C. Tetreault, Notary Public

This Power of Attorney is granted under and by the authority of the following resolutions adopted by the Boards of Directors of Farmington Casualty Company, Fidelity and Guaranty Insurance Company, Fidelity and Guaranty Insurance Underwriters, Inc., St. Paul Fire and Marine Insurance Company, St. Paul Guardian Insurance Company, St. Paul Mercury Insurance Company, Travelers Casualty and Surety Company, Travelers Casualty and Surety Company of America, and United States Fidelity and Guaranty Company, which resolutions are now in full force and effect, reading as follows:

RESOLVED, that the Chairman, the President, any Vice Chairman, any Executive Vice President, any Senior Vice President, any Vice President, any Second Vice President, the Treasurer, any Assistant Treasurer, the Corporate Secretary or any Assistant Secretary may appoint Attorneys-in-Fact and Agents to act for and on behalf of the Company and may give such appointee such authority as his or her certificate of authority may prescribe to sign with the Company's name and seal with the Company's seal bonds, recognizances, contracts of indemnity, and other writings obligatory in the nature of a bond, recognizance, or conditional undertaking, and any of said officers or the Board of Directors at any time may remove any such appointee and revoke the power given him or her; and it is

FURTHER RESOLVED, that the Chairman, the President, any Vice Chairman, any Executive Vice President, any Senior Vice President or any Vice President may delegate all or any part of the foregoing authority to one or more officers or employees of this Company, provided that each such delegation is in writing and a copy thereof is filed in the office of the Secretary; and it is

FURTHER RESOLVED, that any bond, recognizance, contract of indemnity, or writing obligatory in the nature of a bond, recognizance, or conditional undertaking shall be valid and binding upon the Company when (a) signed by the President, any Vice Chairman, any Executive Vice President, any Senior Vice President or any Vice President, any Second Vice President, the Treasurer, any Assistant Treasurer, the Corporate Secretary or any Assistant Secretary and duly attested and sealed with the Company's seal by a Secretary or Assistant Secretary; or (b) duly executed (under seal, if required) by one or more Attorneys-in-Fact and Agents pursuant to the power prescribed in his or her certificate or their certificates of authority or by one or more Company officers pursuant to a written delegation of authority; and it is

FURTHER RESOLVED, that the signature of each of the following officers: President, any Executive Vice President, any Senior Vice President, any Vice President, any Assistant Vice President, any Secretary, any Assistant Secretary, and the seal of the Company may be affixed by facsimile to any Power of Attorney or to any certificate relating thereto appointing Resident Vice Presidents, Resident Assistant Secretaries or Attorneys-in-Fact for purposes only of executing and attesting bonds and undertakings and other writings obligatory in the nature thereof, and any such Power of Attorney or certificate bearing such facsimile signature or facsimile seal shall be valid and binding upon the Company and any such power so executed and certified by such facsimile signature and facsimile seal shall be valid and binding on the Company in the future with respect to any bond or understanding to which it is attached.

I, Kevin E. Hughes, the undersigned, Assistant Secretary, of Farmington Casualty Company, Fidelity and Guaranty Insurance Company, Fidelity and Guaranty Insurance Underwriters, Inc., St. Paul Fire and Marine Insurance Company, St. Paul Guardian Insurance Company, St. Paul Mercury Insurance Company, Travelers Casualty and Surety Company, Travelers Casualty and Surety Company of America, and United States Fidelity and Guaranty Company do hereby certify that the above and foregoing is a true and correct copy of the Power of Attorney executed by said Companies, which is in full force and effect and has not been revoked.

IN TESTIMONY WHEREOF, I have hereunto set my hand and affixed the seals of said Companies this _____ day of AUG 05 2016, 20 ____.

WARNING: THIS POWER OF ATTORNEY IS INVALID WITHOUT THE RED BORDER

Kevin E. Hughes
Kevin E. Hughes, Assistant Secretary



To verify the authenticity of this Power of Attorney, call 1-800-421-3880 or contact us at www.travelersbond.com. Please refer to the Attorney-In-Fact number, the above-named individuals and the details of the bond to which the power is attached.

Supplemental Agreement and/or Request for Construction Change Change Order Request # 2

Project Title/Termini:	Hillsboro Road Widening - Phase II		
Owner:	City of Franklin, Tennessee	PIN:	108409.00
Address:	109 3 rd Avenue South	State Project No.:	94014-3230-04
	Franklin, TN 37064	Federal Project No.:	STP-EN-106(22)
Date Prepared:	7/20/2016	Contract No.:	2015-0002
		County:	Williamson

Whereas, we Eutaw Construction Company, Inc. with Travelers Casualty and Surety Company of America, as a Surety, entered into a contract with City of Franklin, Tennessee, on March 8th, 2016, for the construction by said Contractor of the above designated contract; and *Whereas*, certain items of construction encountered, are not covered by the original contract, we desire to submit the following additional items of construction to be performed by the Contractor and paid by the Owner at the price(s) scheduled therefore below:

The purpose of this Change Order is to:

Add the pay item 712-04.50 Portable Barrier Rail Delineator, (EACH) to the contract documents to be installed on top of the portable barrier rail in accordance with the TDOT standard drawings for improved night time visibility. This item will replace contract pay items 712-06.01 Vertical Panels, and reduce the quantity for pay item 713-11.02 Perforated/Knockout Square Tub Post originally set up in the contract for attachment to the top of the portable barrier rail.

As a result of this Change Order, contract time shall:

Not Change, Increase by _____ days, Decrease by _____ days

Original contraction Completion Time: 430 days (Date: 6/21/2017)

Approved Change Orders: 0

Current Change Order: 0

Contract Completion Time with Change Orders: 430 days (Date: 6/21/2017)

Unit prices listed below include labor, materials, profit, overhead, and incidentals necessary to complete this work. A separate attached spreadsheet with the same information may be used in lieu of the table below.

Item No.	Description	Unit	Current/ Pending Quantities	Revised Quantities	QTY Over + QTY Under -	Contract Price	Net Amount Due Change
712-06.01	Vertical Panels	SF	1,202	0	-1,202	\$13.00	\$-15,626.00
712-04.50	Portable Barrier Rail Delineator	EA	0	75		\$40	\$3,000.00

Bid Contract Amount: \$11,995,005.13

Current Change Order: \$-12,626.00

Approved Change Orders: \$ _____



Local Government Guidelines Form 8-30
 March 1, 2016

Pending Change Orders: \$2,992.50
 Total Change Orders to Date: \$9,633.50

**Supplemental Agreement and/or Request for Construction Change
 Change Order Request # 2**

Project Title/Terminal:	Hillsboro Road Widening - Phase II		
Owner:	City of Franklin, Tennessee	PIN:	108409.00
Address:	109 3 rd Avenue South	State Project No.:	94014-3230-04
	Franklin, TN 37064	Federal Project No.:	STP-EN-106(22)
Date Prepared:	7/20/2016	Contract No.:	2015-0002
		County:	Williamson

Now, Therefore, We, Eutaw Construction Company, Inc., Contractors, and Travelers Casualty and Surety Company of America, Surety, hereby agree to the Supplemental Agreement consisting of the above mentioned items and prices, and agree that this Supplemental Agreement is hereby made a part of the original contract and will be performed by this Contractor in accordance with specifications thereof, and that the original contract remain in full force and effect, except insofar as specifically modified by this Supplemental Agreement.


Recommended for Approval

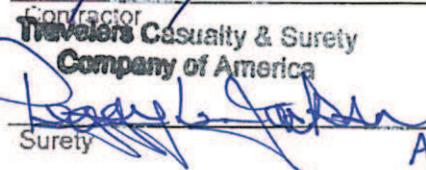
By:  _____ Date: 7/29/16

Approved for Eligibility:

By: **APPROVED**
 By Denise Baker at 11:13 am, Aug 01, 2016
 _____ Date
 Local Programs Planner

Approved By:

By:  _____ Date: August 5th, 2016
 Contractor

By:  _____ Date: 8/5/2016
 Surety
 Attorney-in-Fact

By: **APPROVED**
 By William Banks at 3:44 pm, Aug 08, 2016
 _____ Date
 Owner

TENNESSEE PAY ITEM REPORT

Gresham Smith & Partners

Date: 07/29/2016
 Time: 09:14:30

Pay Item: 712-04.50 PORTABLE BARRIER RAIL DELINEATOR

TOTALS	High:	150.00	Wtd. Average:	12.76	Total Quan:	1,192.00	Count:	61
	Low:	4.89	Strt. Average:	15.16	Avg. Quan:	19.54	Median:	12.50
			Std Deviation:	18.20				

Contractor	County	Position	Bid Date	Quantity	Unit	Unit Price	Extension
lojac enterprises, inc.	davidson	1	07/11/2014	48.00	EACH	10.25	492.00
sessions paving company	davidson	2	07/11/2014	48.00	EACH	16.50	792.00
civil constructors, inc.	davidson	3	07/11/2014	48.00	EACH	13.00	624.00
mountain states contractors, llc	davidson	4	07/11/2014	48.00	EACH	12.50	600.00
rogers group, inc.	lawrence	1	07/11/2014	50.00	EACH	12.28	614.00
lojac enterprises, inc.	lawrence	2	07/11/2014	50.00	EACH	9.50	475.00
jamison construction, llc	smith	1	10/17/2014	10.00	EACH	12.00	120.00
concrete strategies, llc	smith	2	10/17/2014	10.00	EACH	6.00	60.00
highways, inc.	smith	3	10/17/2014	10.00	EACH	12.60	126.00
mid-state construction co., inc.	smith	4	10/17/2014	10.00	EACH	6.27	62.70
rogers group, inc.	smith	5	10/17/2014	10.00	EACH	17.88	178.80
gannett fleming project development corporation	davidson, robertson, sumner	1	10/17/2014	26.00	EACH	14.00	364.00
stansell elec. co., inc.	davidson, robertson, sumner	2	10/17/2014	26.00	EACH	9.60	249.60
mid-state construction co., inc.	davidson	1	10/17/2014	48.00	EACH	14.38	690.24
concrete strategies, llc	hickman	1	12/05/2014	22.00	EACH	13.75	302.50
jones brothers, inc.	hickman	2	12/05/2014	22.00	EACH	13.00	286.00
bell & associates construction, lp	hickman	3	12/05/2014	22.00	EACH	30.00	660.00
highways, inc.	hickman	4	12/05/2014	22.00	EACH	13.65	300.30
dement construction co. llc	hickman	5	12/05/2014	22.00	EACH	13.00	286.00
charles deweese construction, inc.	sumner	1	12/05/2014	8.00	EACH	13.65	109.20
brown builders inc	sumner	2	12/05/2014	8.00	EACH	13.65	109.20
angel contracting, llc	sumner	3	12/05/2014	8.00	EACH	15.29	122.32
eatherly group, inc.	sumner	4	12/05/2014	8.00	EACH	16.00	128.00
jamison construction, llc	williamson	1	08/28/2015	14.00	EACH	12.00	168.00
brown builders inc	williamson	2	08/28/2015	14.00	EACH	12.60	176.40
mid-state construction co., inc.	williamson	3	08/28/2015	14.00	EACH	14.20	198.80
concrete strategies, llc	humphreys	1	08/28/2015	8.00	EACH	8.50	68.00
jones brothers, inc.	humphreys	2	08/28/2015	8.00	EACH	8.00	64.00
thomson & thomson, inc	humphreys	3	08/28/2015	8.00	EACH	13.50	108.00
brown builders inc	humphreys	4	08/28/2015	8.00	EACH	15.00	120.00
volunteer bridge construction, inc.	humphreys	5	08/28/2015	8.00	EACH	12.00	96.00
dement construction co. llc	humphreys	6	08/28/2015	8.00	EACH	8.00	64.00
thomson & thomson, inc	stewart	1	08/28/2015	22.00	EACH	13.50	297.00
mid-state construction co., inc.	stewart	2	08/28/2015	22.00	EACH	11.29	248.38
jamison construction, llc	stewart	3	08/28/2015	22.00	EACH	12.00	264.00
brown builders inc	stewart	4	08/28/2015	22.00	EACH	10.50	231.00
volunteer bridge construction, inc.	stewart	5	08/28/2015	22.00	EACH	15.00	330.00
civil constructors, inc.	robertson	1	08/28/2015	10.00	EACH	21.00	210.00
lojac enterprises, inc.	robertson	2	08/28/2015	10.00	EACH	18.00	180.00
jones brothers, inc.	robertson	3	08/28/2015	10.00	EACH	20.00	200.00
eubank asphalt paving and sealing	robertson	4	08/28/2015	10.00	EACH	30.00	300.00
mid-state construction co., inc.	moore	1	10/16/2015	7.00	EACH	5.46	38.22
jamison construction, llc	moore	2	10/16/2015	7.00	EACH	20.00	140.00
dement construction co. llc	moore	3	10/16/2015	7.00	EACH	13.50	94.50
thomson & thomson, inc	williamson	1	10/16/2015	24.00	EACH	11.00	264.00
mid-state construction co., inc.	williamson	2	10/16/2015	24.00	EACH	5.29	126.96
concrete strategies, llc	williamson	3	10/16/2015	24.00	EACH	11.00	264.00
brown builders inc	williamson	4	10/16/2015	24.00	EACH	10.10	242.40
jamison construction, llc	williamson	5	10/16/2015	24.00	EACH	10.00	240.00
wright paving contractors, inc.	maury	1	12/04/2015	29.00	EACH	4.89	141.81
rogers group, inc.	maury	2	12/04/2015	29.00	EACH	12.55	363.95
lojac enterprises, inc.	maury	3	12/04/2015	29.00	EACH	7.00	203.00
concrete strategies, llc	davidson	1	02/12/2016	2.00	EACH	150.00	300.00
brown builders inc	davidson	2	02/12/2016	2.00	EACH	20.00	40.00
jones brothers, inc.	moore	1	04/01/2016	6.00	EACH	12.00	72.00
lojac safety inc	davidson	1	06/24/2016	10.00	EACH	7.00	70.00
law signs, llc	davidson	2	06/24/2016	10.00	EACH	11.00	110.00

WARNING: THIS POWER OF ATTORNEY IS INVALID WITHOUT THE RED BORDER



POWER OF ATTORNEY

Farmington Casualty Company
Fidelity and Guaranty Insurance Company
Fidelity and Guaranty Insurance Underwriters, Inc.
St. Paul Fire and Marine Insurance Company
St. Paul Guardian Insurance Company

St. Paul Mercury Insurance Company
Travelers Casualty and Surety Company
Travelers Casualty and Surety Company of America
United States Fidelity and Guaranty Company

Attorney-In Fact No. 229499

Certificate No. 006203196

KNOW ALL MEN BY THESE PRESENTS: That Farmington Casualty Company, St. Paul Fire and Marine Insurance Company, St. Paul Guardian Insurance Company, St. Paul Mercury Insurance Company, Travelers Casualty and Surety Company, Travelers Casualty and Surety Company of America, and United States Fidelity and Guaranty Company are corporations duly organized under the laws of the State of Connecticut, that Fidelity and Guaranty Insurance Company is a corporation duly organized under the laws of the State of Iowa, and that Fidelity and Guaranty Insurance Underwriters, Inc., is a corporation duly organized under the laws of the State of Wisconsin (herein collectively called the "Companies"), and that the Companies do hereby make, constitute and appoint

S. Lyle Bates, Jr., Jerry Eugene Horner, Jr., Jim A. Armstrong, Jerry G. Veazey, Jr., Jason J. Young, Trina Cobb, Linda D. Whittington, Peggy L. Jackson, William E. Howard Jr., Brody Eric Buckley, Angela Bullie, Stephen Wesley Price, Jr., and Amanda Jean Charfauros

of the City of Jackson, State of Mississippi, their true and lawful Attorney(s)-in-Fact, each in their separate capacity if more than one is named above, to sign, execute, seal and acknowledge any and all bonds, recognizances, conditional undertakings and other writings obligatory in the nature thereof on behalf of the Companies in their business of guaranteeing the fidelity of persons, guaranteeing the performance of contracts and executing or guaranteeing bonds and undertakings required or permitted in any actions or proceedings allowed by law.

IN WITNESS WHEREOF, the Companies have caused this instrument to be signed and their corporate seals to be hereto affixed, this 5th day of June, 2015.

Farmington Casualty Company
Fidelity and Guaranty Insurance Company
Fidelity and Guaranty Insurance Underwriters, Inc.
St. Paul Fire and Marine Insurance Company
St. Paul Guardian Insurance Company

St. Paul Mercury Insurance Company
Travelers Casualty and Surety Company
Travelers Casualty and Surety Company of America
United States Fidelity and Guaranty Company



State of Connecticut
City of Hartford ss.

By: 
Robert L. Raney, Senior Vice President

On this the 5th day of June, 2015, before me personally appeared Robert L. Raney, who acknowledged himself to be the Senior Vice President of Farmington Casualty Company, Fidelity and Guaranty Insurance Company, Fidelity and Guaranty Insurance Underwriters, Inc., St. Paul Fire and Marine Insurance Company, St. Paul Guardian Insurance Company, St. Paul Mercury Insurance Company, Travelers Casualty and Surety Company, Travelers Casualty and Surety Company of America, and United States Fidelity and Guaranty Company, and that he, as such, being authorized so to do, executed the foregoing instrument for the purposes therein contained by signing on behalf of the corporations by himself as a duly authorized officer.

In Witness Whereof, I hereunto set my hand and official seal.
My Commission expires the 30th day of June, 2016.




Marie C. Tetreault, Notary Public

This Power of Attorney is granted under and by the authority of the following resolutions adopted by the Boards of Directors of Farmington Casualty Company, Fidelity and Guaranty Insurance Company, Fidelity and Guaranty Insurance Underwriters, Inc., St. Paul Fire and Marine Insurance Company, St. Paul Guardian Insurance Company, St. Paul Mercury Insurance Company, Travelers Casualty and Surety Company, Travelers Casualty and Surety Company of America, and United States Fidelity and Guaranty Company, which resolutions are now in full force and effect, reading as follows:

RESOLVED, that the Chairman, the President, any Vice Chairman, any Executive Vice President, any Senior Vice President, any Vice President, any Second Vice President, the Treasurer, any Assistant Treasurer, the Corporate Secretary or any Assistant Secretary may appoint Attorneys-in-Fact and Agents to act for and on behalf of the Company and may give such appointee such authority as his or her certificate of authority may prescribe to sign with the Company's name and seal with the Company's seal bonds, recognizances, contracts of indemnity, and other writings obligatory in the nature of a bond, recognizance, or conditional undertaking, and any of said officers or the Board of Directors at any time may remove any such appointee and revoke the power given him or her; and it is

FURTHER RESOLVED, that the Chairman, the President, any Vice Chairman, any Executive Vice President, any Senior Vice President or any Vice President may delegate all or any part of the foregoing authority to one or more officers or employees of this Company, provided that each such delegation is in writing and a copy thereof is filed in the office of the Secretary; and it is

FURTHER RESOLVED, that any bond, recognizance, contract of indemnity, or writing obligatory in the nature of a bond, recognizance, or conditional undertaking shall be valid and binding upon the Company when (a) signed by the President, any Vice Chairman, any Executive Vice President, any Senior Vice President or any Vice President, any Second Vice President, the Treasurer, any Assistant Treasurer, the Corporate Secretary or any Assistant Secretary and duly attested and sealed with the Company's seal by a Secretary or Assistant Secretary; or (b) duly executed (under seal, if required) by one or more Attorneys-in-Fact and Agents pursuant to the power prescribed in his or her certificate or their certificates of authority or by one or more Company officers pursuant to a written delegation of authority; and it is

FURTHER RESOLVED, that the signature of each of the following officers: President, any Executive Vice President, any Senior Vice President, any Vice President, any Assistant Vice President, any Secretary, any Assistant Secretary, and the seal of the Company may be affixed by facsimile to any Power of Attorney or to any certificate relating thereto appointing Resident Vice Presidents, Resident Assistant Secretaries or Attorneys-in-Fact for purposes only of executing and attesting bonds and undertakings and other writings obligatory in the nature thereof, and any such Power of Attorney or certificate bearing such facsimile signature or facsimile seal shall be valid and binding upon the Company and any such power so executed and certified by such facsimile signature and facsimile seal shall be valid and binding on the Company in the future with respect to any bond or understanding to which it is attached.

I, Kevin E. Hughes, the undersigned, Assistant Secretary, of Farmington Casualty Company, Fidelity and Guaranty Insurance Company, Fidelity and Guaranty Insurance Underwriters, Inc., St. Paul Fire and Marine Insurance Company, St. Paul Guardian Insurance Company, St. Paul Mercury Insurance Company, Travelers Casualty and Surety Company, Travelers Casualty and Surety Company of America, and United States Fidelity and Guaranty Company do hereby certify that the above and foregoing is a true and correct copy of the Power of Attorney executed by said Companies, which is in full force and effect and has not been revoked.

AUG 05 2016

IN TESTIMONY WHEREOF, I have hereunto set my hand and affixed the seals of said Companies this _____ day of _____, 20 _____.

WARNING: THIS POWER OF ATTORNEY IS INVALID WITHOUT THE RED BORDER

Kevin E. Hughes
Kevin E. Hughes, Assistant Secretary



To verify the authenticity of this Power of Attorney, call 1-800-421-3880 or contact us at www.travelersbond.com. Please refer to the Attorney-In-Fact number, the above-named individuals and the details of the bond to which the power is attached.

**Supplemental Agreement and/or Request for Construction Change
 Change Order Request # 3**

Project Title/Termini:	Hillsboro Road Widening - Phase II	
Owner:	City of Franklin, Tennessee	PIN: 108409.00
Address:	109 3 rd Avenue South	State Project No.: 94014-3230-04
	Franklin, TN 37064	Federal Project No.: STP-EN-106(22)
Date Prepared:	7/25/2016	Contract No.: 2015-0002
		County: Williamson

Whereas, we Eutaw Construction Company, Inc. with Travelers Casualty and Surety Company of America, as a Surety, entered into a contract with City of Franklin, Tennessee, on March 8th, 2016, for the construction by said Contractor of the above designated contract; and *Whereas*, certain items of construction encountered, are not covered by the original contract, we desire to submit the following additional items of construction to be performed by the Contractor and paid by the Owner at the price(s) scheduled therefore below:

The purpose of this Change Order is to:

modify the contract documents to include the elimination of the as-bid metal halide pulse start roadway lighting luminaires, and replacing them in-kind with LED Luminaires. The light pole type and material will remain the same. This is a zero cost change order.

As a result of this Change Order, contract time shall:

Not Change, Increase by _____ days, Decrease by _____ days

Original contraction Completion Time: 430 days (Date: 6/21/2017)

Approved Change Orders: 0

Current Change Order: 0

Contract Completion Time with Change Orders: 430 days (Date: 6/21/2017)

Unit prices listed below include labor, materials, profit, overhead, and incidentals necessary to complete this work. A separate attached spreadsheet with the same information may be used in lieu of the table below.

Item No.	Description	Unit	Current/ Pending Quantities	Revised Quantities	QTY Over + QTY Under -	Contract Price	Net Amount Due Change
714-08.09	Light Pole Material Only, Fixture Type A (Metal Halide)	EA	-55	0	0	\$ 8,740.00	\$-480,700.00
714-08.10	Light Pole Material Only, Fixture Type B (Metal Halide)	EA	-3	0	0	\$ 8,780.00	\$-26,340.00
714-08.09	Light Pole Material Only, Fixture Type A (LED)	EA	0	55	0	\$8,740.00	\$480,700.00



714-08.10	Light Pole Material Only, Fixture Type B (LED)	EA	0	3	0	\$8,780.00	\$26,340.00
-----------	--	----	---	---	---	------------	-------------

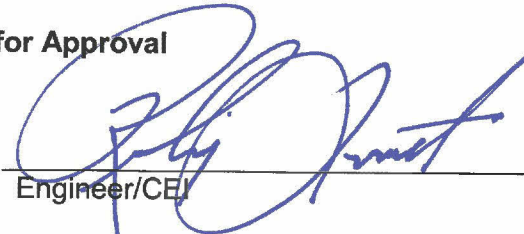
Bid Contract Amount: \$11,995,005.13
 Current Change Order: \$0.00
 Approved Change Orders: \$-9,633.50
 Pending Change Orders: \$0
 Total Change Orders to Date: \$-9,633.50

**Supplemental Agreement and/or Request for Construction Change
 Change Order Request # 3**

Project Title/Termini: Hillsboro Road Widening - Phase II
 Owner: City of Franklin, Tennessee PIN: 108409.00
 Address: 109 3rd Avenue South State Project No.: 94014-3230-04
Franklin, TN 37064 Federal Project No.: STP-EN-106(22)
 Date Prepared: 7/25/2016 Contract No.: 2015-0002
 County: Williamson

Now, Therefore, We, Eutaw Construction Company, Inc., Contractors, and Travelers Casualty and Surety Company of America, Surety, hereby agree to the Supplemental Agreement consisting of the above mentioned items and prices, and agree that this Supplemental Agreement is hereby made a part of the original contract and will be performed by this Contractor in accordance with specifications thereof, and that the original contract remain in full force and effect, except insofar as specifically modified by this Supplemental Agreement.

Recommended for Approval

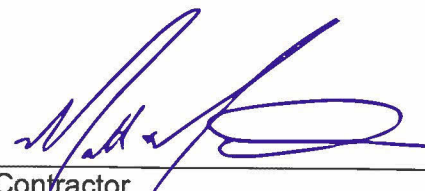
By:  8/5/16
 Engineer/CEI Date

Approved for Eligibility:

APPROVED
 By Denise Baker at 3:05 pm, Aug 08, 2016

By: _____
 Local Programs Planner Date


Approved By:


By:  August 8th, 2016
 Contractor Date



Local Government Guidelines Form 8-30
March 1, 2016

Travelers Casualty and Surety Company of

By:  8/8/2016
Peggy L. Jackson, Attorney-in-Fact Date

By:  08/09/2016
Owner Date



July 22, 2016

Sent via email

Matt McQueen
Eutaw Construction Company, Inc.
1700 Hayes Street Suite 103
Franklin, TN 37064

RE: Hillsboro Road Widening Phase II – 2015-0002
Subject: LED Change Request

Mr. McQueen,

As requested, I would like to submit pricing to supply the LED light source style fixtures in lieu of the Metal Halide Pulse Start Lamp light source style fixtures currently set up in the contract. I have included the cut sheets for the LED fixtures with this letter. Stansell Electric can supply the LED fixtures at the same contract price as the Metal Halide Pulse Start Lamp fixtures. We understand that this change is only for the two contract items is listed below.

714-08.09 Light Pole Material Only, Fixture Type A 55 EA
714-08.10 Light Pole Material Only, Fixture Type B 3 EA

Please confirm the attached cut sheet is what the City of Franklin is wanting. Should you have any questions or concerns, please do not hesitate to contact me.

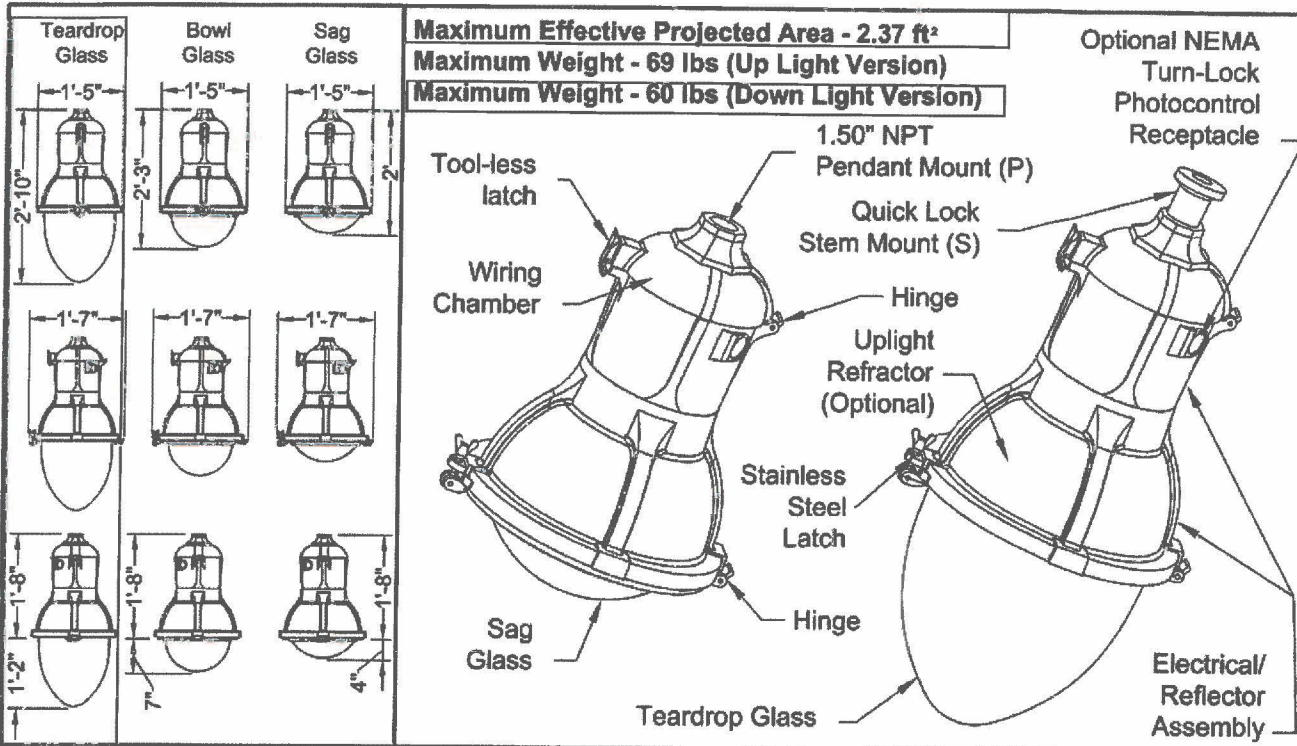
Respectfully,

Stansell Electric Company, Inc.

TJ Rodgers

Digitally signed by TJ Rodgers
DN: c=US,
e=tjrodgers@stansellelectric.com,
o=Stansell Electric Company, Inc.,
ou=Construction, cn=TJ Rodgers
Date: 2016.07.25 15:14:15-0500'

TJ Rodgers
Senior Project Manager
860 Visco Drive
Nashville TN, 37210
Cell: 615-947-8624
Fax: 615-320-5236



Memphis[®]
 Utility Tear Drop LED 2

**DECORATIVE
 OUTDOOR**

HOLOPHANE[®]
 LEADER IN LIGHTING SOLUTIONS
 An Acuity Brands Company

2009 ACUITY BRANDS LIGHTING INC., All Rights Reserved

EXAMPLE: MPL2 P10S 40K AS BK TG 3 S

MPL2

ORDERING INFORMATION:

LUMEN / WATTAGE PACKAGE
 (SEE PERFORMANCE TABLE FOR DETAILS, Page 2)
 P10S = DOWN LIGHT
 P10U = DOWN LIGHT AND UP LIGHT
 P20S = DOWN LIGHT
 P20U = DOWN LIGHT AND UP LIGHT¹
 P30S = DOWN LIGHT
 P35S = DOWN LIGHT
 P40S = DOWN LIGHT
 P50S = DOWN LIGHT
 P60S = DOWN LIGHT

VOLTAGE
 AS = AUTO-SENSING 120 - 277 V
 AH = AUTO-SENSING 347 - 480 V

COLOR TEMPERATURE
 27K = 2700 CCT
 30K = 3000 CCT
 40K = 4000 CCT
 50K = 5000 CCT

COLOR
 BK = BLACK
 DB = DARK BLUE
 GR = GRAY
 GH = GRAPHITE
 GN = GREEN
 PP = PRIME PAINT
 WH = WHITE
 BZ = BRONZE
 TDC = TIGER DRYLAC COLOR (RAL****)
 CMC = CUSTOM MATCH COLOR
 XX = STD FINISH, TBD

DOOR AND GLASS
 TG = TEARDROP² GLASS & DOOR
 BG = BOWL GLASS & DOOR
 SG = SAG GLASS & DOOR

OPTIC
 3 = TYPE 3 ASYMMETRIC
 5 = TYPE 5 SYMMETRIC

TOP ENTRY
 P = 1.5 NPT PENDENT MOUNT
 S = QUICK LOCK STEM MOUNT

OPTIONS

- AO = ADJUSTABLE OUTPUT DIMMING (NOT AVAILABLE WITH OPTIONS "P5", "P7", OR ANY OTHER DIMMING OPTION)³
- R = NEMA TWISTLOCK PHOTOCONTROL RECEPTACLE (3 PIN)
- P5 = NEMA TWISTLOCK PHOTOCONTROL RECEPTACLE (5 PIN)
- P7 = NEMA TWISTLOCK PHOTOCONTROL RECEPTACLE (7 PIN)
- PSC = SHORTING CAP (MUST BE USED WITH OPTION "R", "P5", OR "P7")
- PCS = DTL TWISTLOCK PHOTOCONTROL FOR SOLID-STATE LIGHTING 120-277V (MUST BE USED WITH OPTION "R", "P5", OR "P7")
- PCLL = DTL LONG LIFE TWISTLOCK PHOTOCONTROL FOR SOLID-STATE LIGHTING 120-277V (MUST BE USED WITH OPTION "R", "P5", OR "P7")
- P34 = DTL TWISTLOCK PHOTOCONTROL 347V (MUST BE USED WITH OPTION "R", "P5" OR "P7")
- P48 = DTL TWISTLOCK PHOTOCONTROL 480V (MUST BE USED WITH OPTION "R", "P5" OR "P7")
- FPDXX = FACTORY PROGRAMMED DRIVER (XX = PERCENTAGE OF LUMENS OR WATTS, SEE PAGE 3)
- DE = ROAM CONCIERGE DIMMING CONTROL (NOT AVAILABLE WITH VOLTAGE CODE AH, OR ANY OTHER PHOTOCONTROL OR DIMMING OPTION)
- PND = 0-10V PART NIGHT DIMMING (AS VOLTAGE ONLY, MUST BE USED WITH OPTION "R")
- DS = 30 INCH DIAMETER DEEP SKIRT FOR CUTOFF REQUIREMENT
- SS = 30 INCH DIAMETER SHALLOW SKIRT FOR CUTOFF REQUIREMENT
- L1H = 3FT PREWIRED LEADS
- L10 = 10FT PREWIRED LEADS
- L20 = 20FT PREWIRED LEADS
- L25 = 25FT PREWIRED LEADS
- L30 = 30FT PREWIRED LEADS
- NL2X2 = 2"x2" ANSI WATTAGE LABEL
- NL3X3 = 3"x3" ANSI WATTAGE LABEL

ACCESSORIES

- LT3HSS90 = HOUSE SIDE SHIELD, 90 DEGREE (AVAILABLE ON P10S, P10U, P20S, P20U, P30S, AND P35S)
- LT3HSS120 = HOUSE SIDE SHIELD, 120 DEGREE (AVAILABLE ON P10S, P10U, P20S, P20U, P30S, AND P35S)
- LT3HSS180 = HOUSE SIDE SHIELD, 180 DEGREE (AVAILABLE ON P10S, P10U, P20S, P20U, P30S, AND P35S)
- LT5HSS90 = HOUSE SIDE SHIELD, 90 DEGREE (AVAILABLE ON P40S, P50S, AND P60S)
- LT5HSS120 = HOUSE SIDE SHIELD, 120 DEGREE (AVAILABLE ON P40S, P50S, AND P60S)
- LT5HSS180 = HOUSE SIDE SHIELD, 180 DEGREE (AVAILABLE ON P40S, P50S, AND P60S)

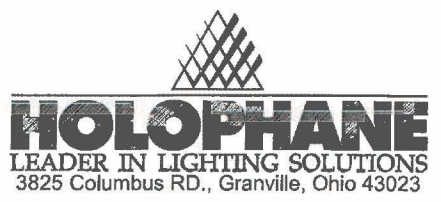
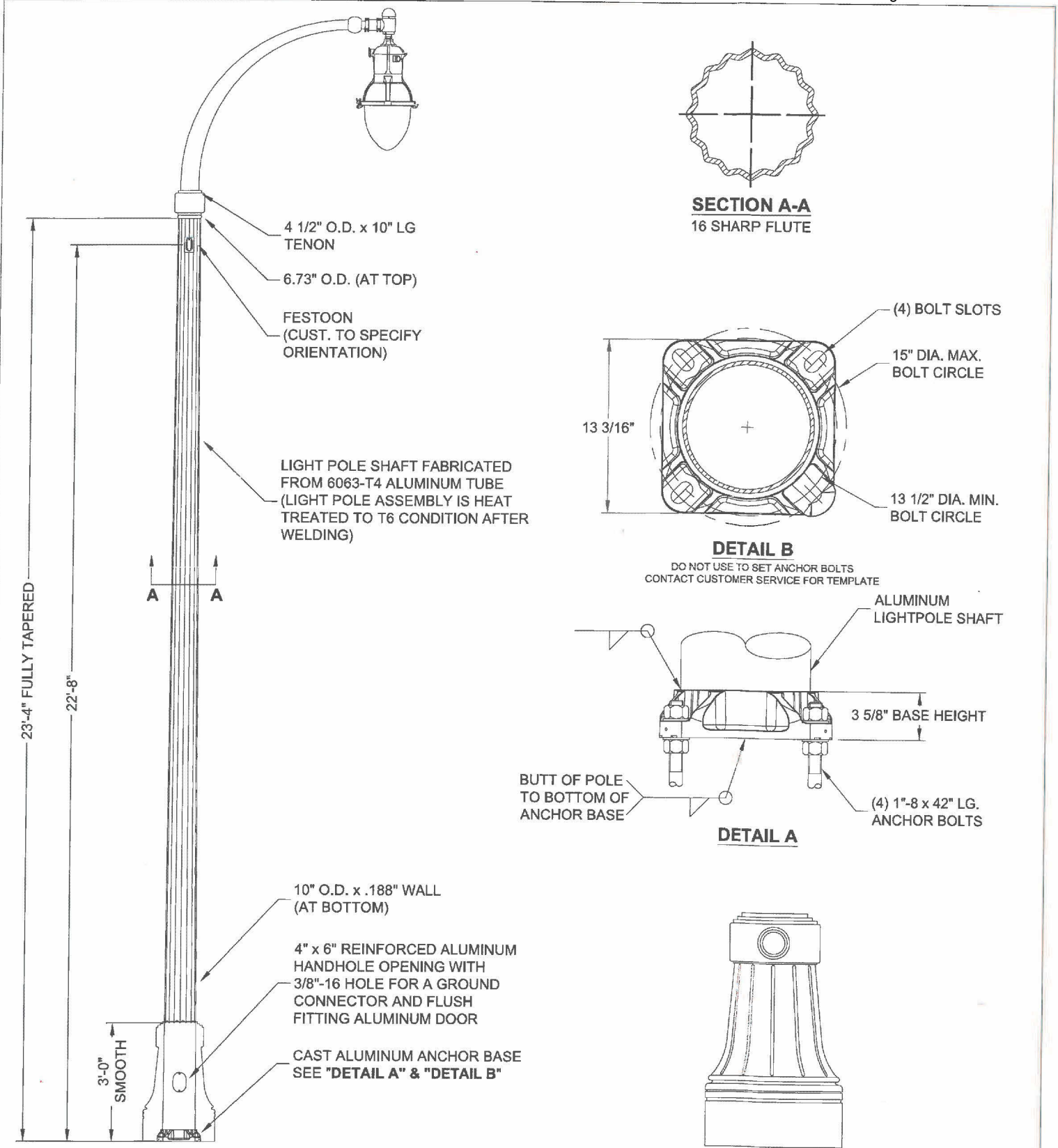
TYPE "A"

NOTES:

1. ONLY AVAILABLE WITH "AS" VOLTAGE
2. ONLY AVAILABLE IN TYPE 3
3. FOR AO DATA, REFER TO PAGE 7 OF INSTRUCTION SHEET ON WEBSITE (IM-396)

THIS DRAWING, WHEN APPROVED, SHALL BECOME THE COMPLETE SET OF MATERIAL TO BE FURNISHED BY HOLOPHANE FOR THE PROJECT. IT IS THE RESPONSIBILITY OF THE CUSTOMER TO OBTAIN ALL NECESSARY PERMITS AND APPROVALS. HOLOPHANE SHALL NOT BE RESPONSIBLE FOR ANY DAMAGE TO PROPERTY OR PERSONS CAUSED BY THE USE OF THIS PRODUCT. HOLOPHANE SHALL NOT BE RESPONSIBLE FOR ANY DAMAGE TO PROPERTY OR PERSONS CAUSED BY THE USE OF THIS PRODUCT. HOLOPHANE SHALL NOT BE RESPONSIBLE FOR ANY DAMAGE TO PROPERTY OR PERSONS CAUSED BY THE USE OF THIS PRODUCT.

ORDER #:	
TYPE:	RAF
DRAWN:	2/17/2016
DATE:	LUM_MPL2
DWG NO:	

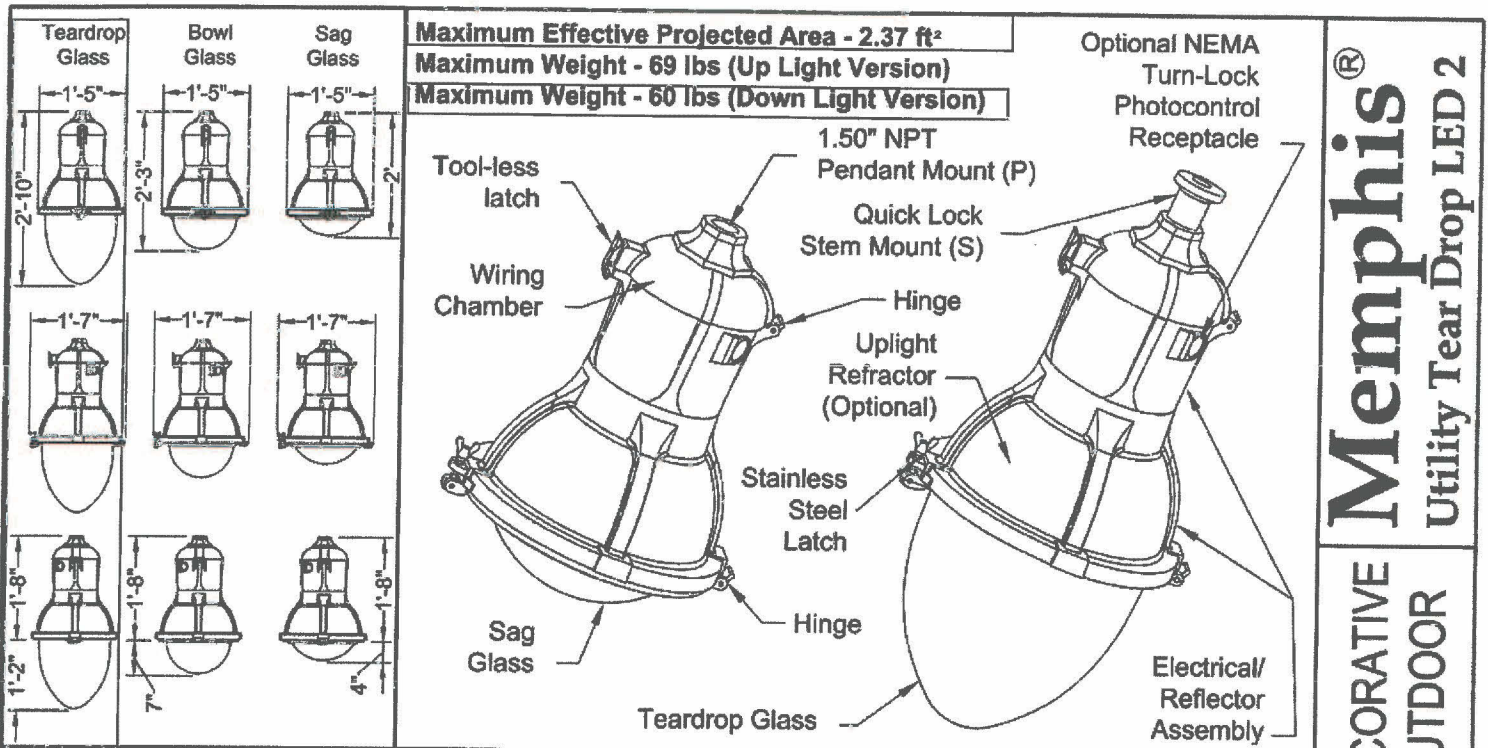


TITLE: S ANCHOR BASE FLUTED TAPERED LIGHTPOLES		QTY:	Pole Type A
MODEL NO.: 230667106T4V,3DR12520G,4.5"ODX10"LG		DWN BY:	Catalog #s: RFD214665
MATERIAL: ALUMINUM ALLOY		CHKD BY:	POLE: RTFA2310-3DR12520G-EA-RP99P024
FINISH: RP99P024 - FRANKLIN GREEN 80% GLOSS		APPR BY:	BASE COVER: AT22CACSB-RP99P024
PROJECT: HILLSBORO ROAD PHASE 2 01-19-16		DATE:	ARM: RBC51/1-CA/RP99P024
SOLD TO: CITY OF FRANKLIN STANDARDS 2016		DWG NO:	ANCHOR BOLTS: AB-27-4
SHIP TO: FRANKLIN, TN		TSG009569	STANDARD MATERIAL
P.O. NO: 2111-16-11680-1		PAGE:	FITTER: GWLF200SCACMC
REP: SEAN CLARE		BY:	LUMINAIRE: MPL2P30S40KASCMTG3P

****CONFIDENTIAL****
 The information contained in this drawing is privileged and confidential, and may be protected from disclosure. Please be aware that any use or dissemination of this drawing may be subject to legal restriction or sanction.

△			
△	06/21/16	CORRECTED FIXTURE IN VIEW	MAB
REV	DATE	REVISION DESCRIPTION	BY
			1 / 3

TYPE A LED



Maximum Effective Projected Area - 2.37 ft²
Maximum Weight - 69 lbs (Up Light Version)
Maximum Weight - 60 lbs (Down Light Version)

Optional NEMA
 Turn-Lock
 Photocontrol
 Receptacle

Memphis[®]
 Utility Tear Drop LED 2

**DECORATIVE
 OUTDOOR**

HOLOPHANE[®]
 LEADER IN LIGHTING SOLUTIONS
 An Acuity Brands Company

2009 ACUITY BRANDS LIGHTING INC., All Rights Reserved

EXAMPLE: MPL2 P10S 40K AS BK TG 3 S

MPL2

ORDERING INFORMATION:

LUMEN / WATTAGE PACKAGE
 (SEE PERFORMANCE TABLE FOR DETAILS, Page 2)
 P10S = DOWN LIGHT
 P10U = DOWN LIGHT AND UP LIGHT
 P20S = DOWN LIGHT
 P20U = DOWN LIGHT AND UP LIGHT¹
 P30S = DOWN LIGHT
 P35S = DOWN LIGHT
 P40S = DOWN LIGHT
 P50S = DOWN LIGHT
 P60S = DOWN LIGHT

VOLTAGE
 AS = AUTO-SENSING 120 - 277 V
 AH = AUTO-SENSING 347 - 480 V

COLOR TEMPERATURE
 27K = 2700 CCT
 30K = 3000 CCT
 40K = 4000 CCT
 50K = 5000 CCT

COLOR
 BK = BLACK
 DB = DARK BLUE
 GR = GRAY
 GH = GRAPHITE
 GN = GREEN
 PP = PRIME PAINT
 WH = WHITE
 BZ = BRONZE
 TDC = TIGER DRYLAC COLOR (RAL****)
 CMC = CUSTOM MATCH COLOR
 XX = STD FINISH, TBD

DOOR AND GLASS
 TG = TEARDROP² GLASS & DOOR
 BG = BOWL GLASS & DOOR
 SG = SAG GLASS & DOOR

OPTIC
 3 = TYPE 3 ASYMMETRIC
 5 = TYPE 5 SYMMETRIC

TOP ENTRY
 P = 1.5 NPT PENDENT MOUNT
 S = QUICK LOCK STEM MOUNT

OPTIONS

AO = ADJUSTABLE OUTPUT DIMMING (NOT AVAILABLE WITH OPTIONS "P5", "P7", OR ANY OTHER DIMMING OPTION)³
 R = NEMA TWISTLOCK PHOTOCONTROL RECEPTACLE (3 PIN)
 P5 = NEMA TWISTLOCK PHOTOCONTROL RECEPTACLE (5 PIN)
 P7 = NEMA TWISTLOCK PHOTOCONTROL RECEPTACLE (7 PIN)
 PSC = SHORTING CAP (MUST BE USED WITH OPTION "R", "P5", OR "P7")
 PCS = DTL TWISTLOCK PHOTOCONTROL FOR SOLID-STATE LIGHTING 120-277V (MUST BE USED WITH OPTION "R", "P5", OR "P7")
 PCLL = DTL LONG LIFE TWISTLOCK PHOTOCONTROL FOR SOLID-STATE LIGHTING 120-277V (MUST BE USED WITH OPTION "R", "P5", OR "P7")
 P34 = DTL TWISTLOCK PHOTOCONTROL 347V (MUST BE USED WITH OPTION "R", "P5" OR "P7")
 P48 = DTL TWISTLOCK PHOTOCONTROL 480V (MUST BE USED WITH OPTION "R", "P5" OR "P7")
 FPDXX = FACTORY PROGRAMMED DRIVER (XX = PERCENTAGE OF LUMENS OR WATTS, SEE PAGE 3)
 DE = ROAM CONERGE DIMMING CONTROL (NOT AVAILABLE WITH VOLTAGE CODE AH, OR ANY OTHER PHOTOCONTROL OR DIMMING OPTION)
 PND = 0-10V PART NIGHT DIMMING (AS VOLTAGE ONLY, MUST BE USED WITH OPTION "R")
 DS = 30 INCH DIAMETER DEEP SKIRT FOR CUTOFF REQUIREMENT
 SS = 30 INCH DIAMETER SHALLOW SKIRT FOR CUTOFF REQUIREMENT
 L1H = 3FT PREWIRED LEADS
 L10 = 10FT PREWIRED LEADS
 L20 = 20FT PREWIRED LEADS
 L25 = 25FT PREWIRED LEADS
 L30 = 30FT PREWIRED LEADS
 NL2X2 = 2"x2" ANSI WATTAGE LABEL
 NL3X3 = 3"x3" ANSI WATTAGE LABEL

ACCESSORIES

LT3HSS90 = HOUSE SIDE SHIELD, 90 DEGREE (AVAILABLE ON P10S, P10U, P20S, P20U, P30S, AND P35S)
 LT3HSS120 = HOUSE SIDE SHIELD, 120 DEGREE (AVAILABLE ON P10S, P10U, P20S, P20U, P30S, AND P35S)
 LT3HSS180 = HOUSE SIDE SHIELD, 180 DEGREE (AVAILABLE ON P10S, P10U, P20S, P20U, P30S, AND P35S)
 LT5HSS90 = HOUSE SIDE SHIELD, 90 DEGREE (AVAILABLE ON P40S, P50S, AND P60S)
 LT5HSS120 = HOUSE SIDE SHIELD, 120 DEGREE (AVAILABLE ON P40S, P50S, AND P60S)
 LT5HSS180 = HOUSE SIDE SHIELD, 180 DEGREE (AVAILABLE ON P40S, P50S, AND P60S)

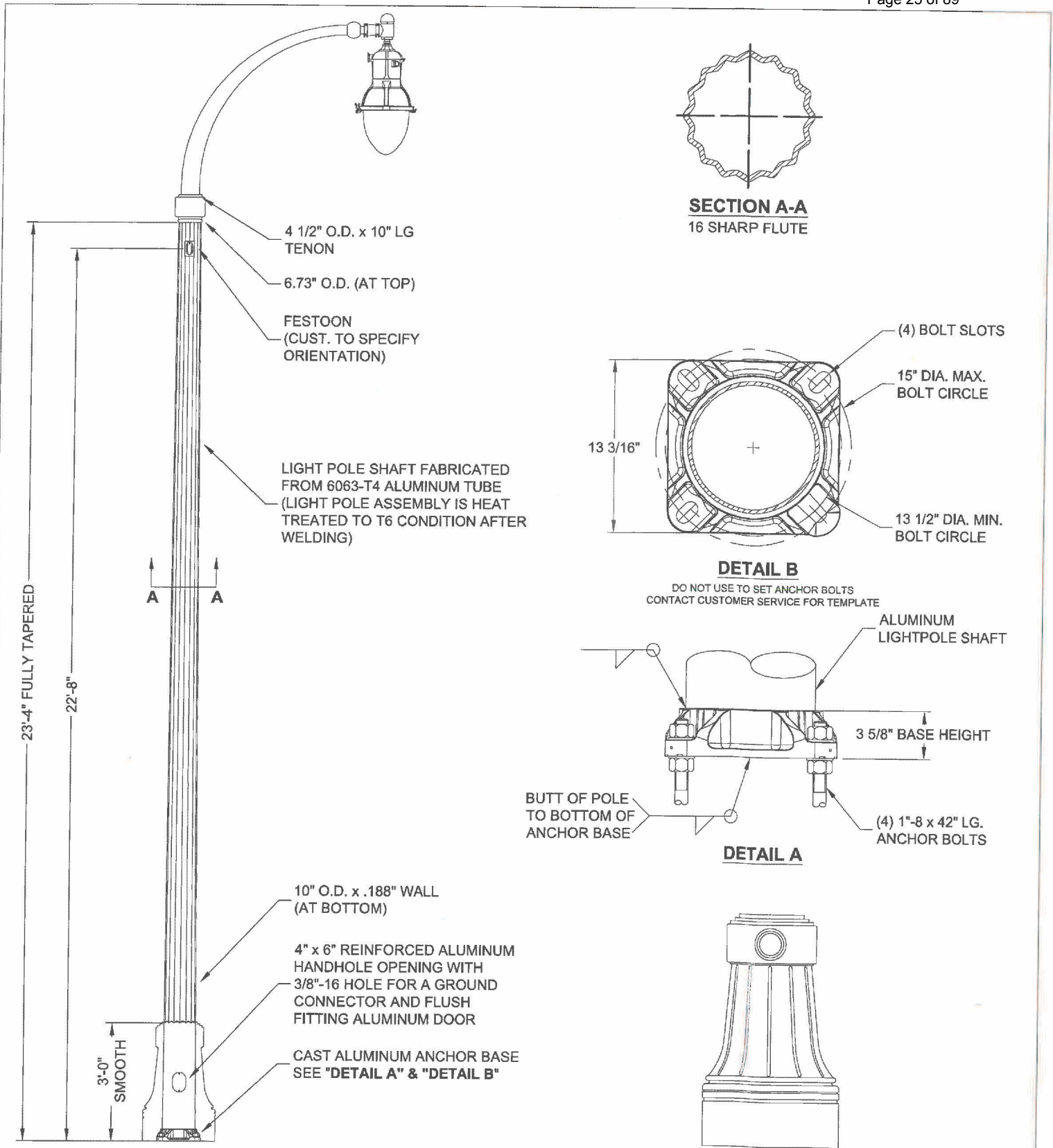
NOTES:

1. ONLY AVAILABLE WITH "AS" VOLTAGE
2. ONLY AVAILABLE IN TYPE 3
3. FOR AO DATA, REFER TO PAGE 7 OF INSTRUCTION SHEET ON WEBSITE (IM-396)

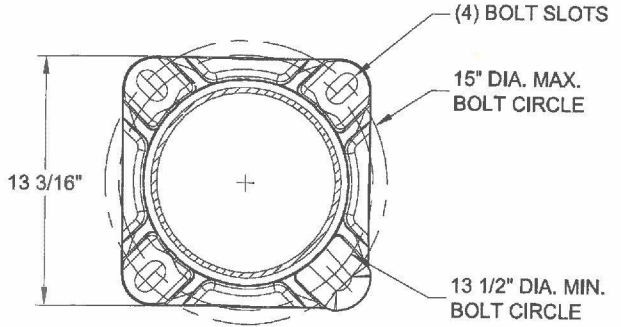
*Type "B"
 (w/PhotoCell)*

THIS DRAWING, WHEN APPROVED, SHALL BECOME THE COMPLETE SET OF DRAWINGS FOR THE PROJECT. MATERIAL TO BE FURNISHED BY HOLOPHANE SHALL BE SHOWN AS SUCH. MATERIAL TO BE SUPPLIED BY THE CUSTOMER SHALL BE SHOWN AS SUCH. HOLOPHANE SHALL NOT BE RESPONSIBLE FOR ANY ERRORS OR OMISSIONS IN THIS DRAWING. THIS DRAWING IS PROVIDED AS A GUIDE ONLY. HOLOPHANE SHALL NOT BE RESPONSIBLE FOR ANY ERRORS OR OMISSIONS IN THIS DRAWING. THIS DRAWING IS PROVIDED AS A GUIDE ONLY. HOLOPHANE SHALL NOT BE RESPONSIBLE FOR ANY ERRORS OR OMISSIONS IN THIS DRAWING. THIS DRAWING IS PROVIDED AS A GUIDE ONLY.

ORDER #:	
TYPE:	RAF
DRAWN:	2/17/2016
DATE:	LUM MPL2
DWG NO:	

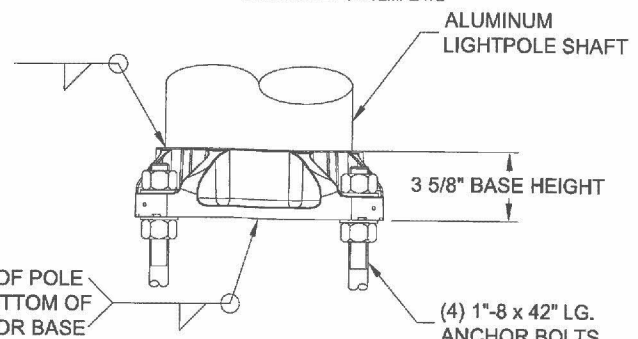


SECTION A-A
 16 SHARP FLUTE

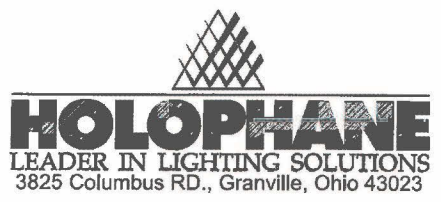
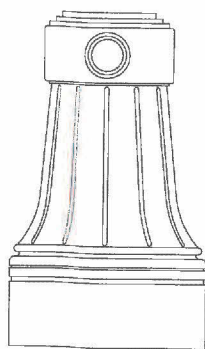


DETAIL B

DO NOT USE TO SET ANCHOR BOLTS
 CONTACT CUSTOMER SERVICE FOR TEMPLATE



DETAIL A



TITLE: S ANCHOR BASE FLUTED TAPERED LIGHTPOLES
MODEL NO.: 230667106T4V,3DR12520G,4.5\"/>

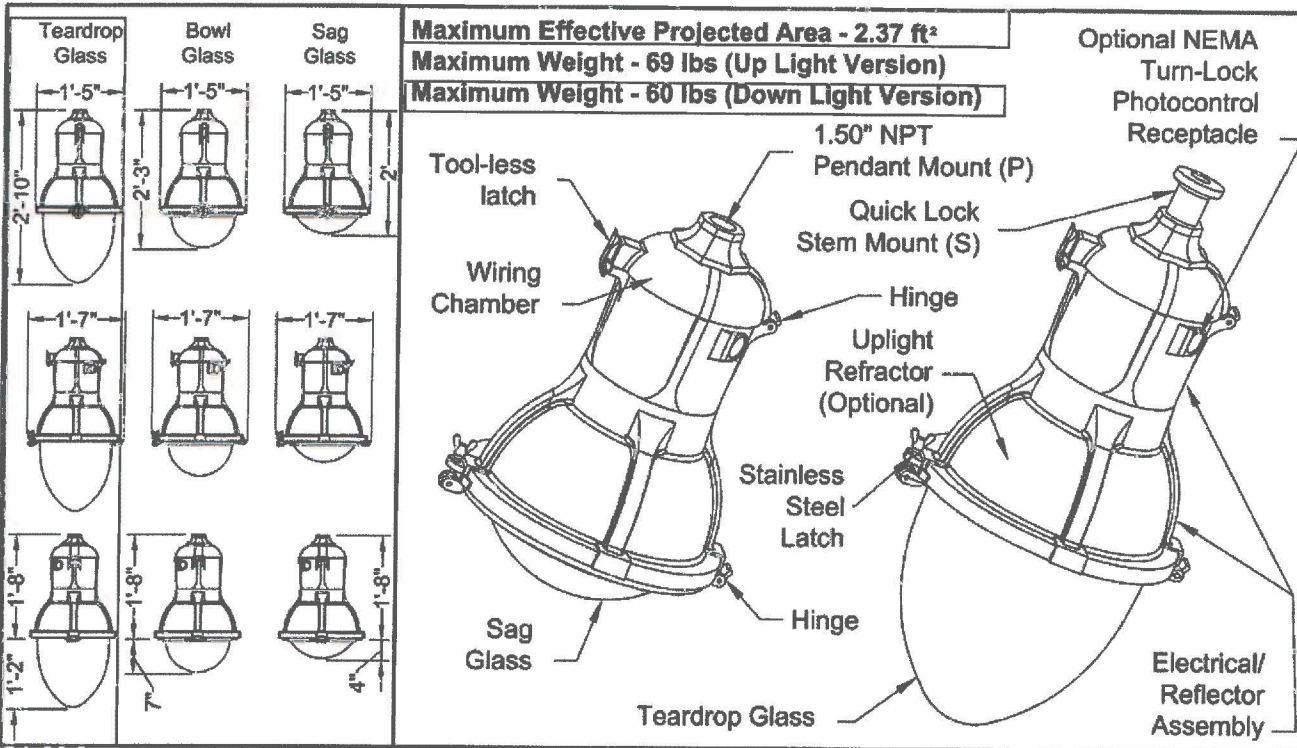
QTY: Pole Type B
Catalog #s: RFD214665
POLE: RTFA2310-3DR12520G-EA-RP99P024
BASE COVER: AT22CACSB-RP99P024
ARM: RBC51/1-CA/RP99P024
ANCHOR BOLTS: AB-27-4
STANDARD MATERIAL
FITTER: GWLF2003CACMG
LUMINAIRE: MPL2P30S40KASCMCTG3PRPCS

****CONFIDENTIAL****
 The information contained in this drawing is privileged and confidential, and may be protected from disclosure. Please be aware that any use or dissemination of this drawing may be subject to legal restriction or sanction.

△			
△	06/21/16	CORRECTED FIXTURE IN VIEW	MAB
REV	DATE	REVISION DESCRIPTION	BY

Customer Signature & Date:
 [Signature] LED
TYPE "B"

DATE: 06/02/16
DWG NO: TSG009569
PAGE: 2 / 3



Memphis[®]
 Utility Tear Drop LED 2

**DECORATIVE
 OUTDOOR**

HOLOPHANE[®]
 LEADER IN LIGHTING SOLUTIONS
 An Acuity Brands Company

2009 ACUITY BRANDS LIGHTING INC., All Rights Reserved

EXAMPLE: MPL2 P10S 40K AS BK TG 3 S

ORDERING INFORMATION:

<p>LUMEN / WATTAGE PACKAGE (SEE PERFORMANCE TABLE FOR DETAILS, Page 2) P10S = DOWN LIGHT P10U = DOWN LIGHT AND UP LIGHT P20S = DOWN LIGHT P20U = DOWN LIGHT AND UP LIGHT P30S = DOWN LIGHT P35S = DOWN LIGHT P40S = DOWN LIGHT P50S = DOWN LIGHT P60S = DOWN LIGHT</p>	<p>VOLTAGE AS = AUTO-SENSING 120 - 277 V AH = AUTO-SENSING 347 - 480 V</p>	<p>COLOR BK = BLACK DB = DARK BLUE GR = GRAY GH = GRAPHITE GN = GREEN PP = PRIME PAINT WH = WHITE BZ = BRONZE TDC = TIGER DRYLAC COLOR (RAL***) CMC = CUSTOM MATCH COLOR XX = STD FINISH, TBD</p>	<p>DOOR AND GLASS TG = TEARDROP² GLASS & DOOR BG = BOWL GLASS & DOOR SG = SAG GLASS & DOOR</p>	<p>OPTIC 3 = TYPE 3 ASYMMETRIC 5 = TYPE 5 SYMMETRIC</p>	<p>TOP ENTRY P = 1.5 NPT PENDENT MOUNT S = QUICK LOCK STEM MOUNT</p>
---	---	---	---	--	---

- OPTIONS**
- AO = ADJUSTABLE OUTPUT DIMMING (NOT AVAILABLE WITH OPTIONS "P5", "P7", OR ANY OTHER DIMMING OPTION)³
 - R = NEMA TWISTLOCK PHOTOCONTROL RECEPTACLE (3 PIN)
 - P5 = NEMA TWISTLOCK PHOTOCONTROL RECEPTACLE (5 PIN)
 - P7 = NEMA TWISTLOCK PHOTOCONTROL RECEPTACLE (7 PIN)
 - PSC = SHORTING CAP (MUST BE USED WITH OPTION "R", "P5", OR "P7")
 - PCS = DTL TWISTLOCK PHOTOCONTROL FOR SOLID-STATE LIGHTING 120-277V (MUST BE USED WITH OPTION "R", "P5", OR "P7")
 - PCLL = DTL LONG LIFE TWISTLOCK PHOTOCONTROL FOR SOLID-STATE LIGHTING 120-277V (MUST BE USED WITH OPTION "R", "P5", OR "P7")
 - P34 = DTL TWISTLOCK PHOTOCONTROL 347V (MUST BE USED WITH OPTION "R", "P5" OR "P7")
 - P48 = DTL TWISTLOCK PHOTOCONTROL 480V (MUST BE USED WITH OPTION "R", "P5" OR "P7")
 - FPDXX = FACTORY PROGRAMMED DRIVER (XX = PERCENTAGE OF LUMENS OR WATTS, SEE PAGE 3)
 - DE = ROAM CONCIERGE DIMMING CONTROL (NOT AVAILABLE WITH VOLTAGE CODE AH, OR ANY OTHER PHOTOCONTROL OR DIMMING OPTION)
 - PND = 0-10V PART NIGHT DIMMING (AS VOLTAGE ONLY, MUST BE USED WITH OPTION "R")
 - DS = 30 INCH DIAMETER DEEP SKIRT FOR CUTOFF REQUIREMENT
 - SS = 30 INCH DIAMETER SHALLOW SKIRT FOR CUTOFF REQUIREMENT
 - L1H = 3FT PREWIRED LEADS
 - L10 = 10FT PREWIRED LEADS
 - L20 = 20FT PREWIRED LEADS
 - L25 = 25FT PREWIRED LEADS
 - L30 = 30FT PREWIRED LEADS
 - NL2X2 = 2"x2" ANSI WATTAGE LABEL
 - NL3X3 = 3"x3" ANSI WATTAGE LABEL

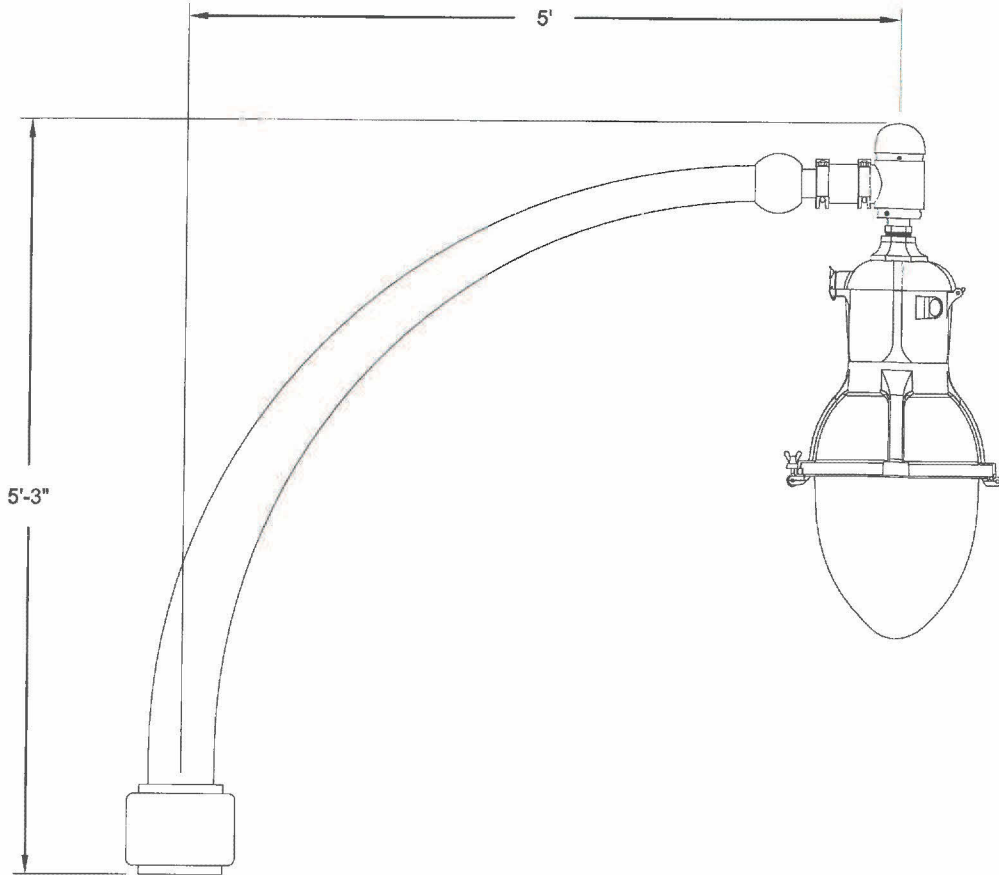
- ACCESSORIES**
- LT3HSS90 = HOUSE SIDE SHIELD, 90 DEGREE (AVAILABLE ON P10S, P10U, P20S, P20U, P30S, AND P35S)
 - LT3HSS120 = HOUSE SIDE SHIELD, 120 DEGREE (AVAILABLE ON P10S, P10U, P20S, P20U, P30S, AND P35S)
 - LT3HSS180 = HOUSE SIDE SHIELD, 180 DEGREE (AVAILABLE ON P10S, P10U, P20S, P20U, P30S, AND P35S)
 - LT5HSS90 = HOUSE SIDE SHIELD, 90 DEGREE (AVAILABLE ON P40S, P50S, AND P60S)
 - LT5HSS120 = HOUSE SIDE SHIELD, 120 DEGREE (AVAILABLE ON P40S, P50S, AND P60S)
 - LT5HSS180 = HOUSE SIDE SHIELD, 180 DEGREE (AVAILABLE ON P40S, P50S, AND P60S)

TYPE TR

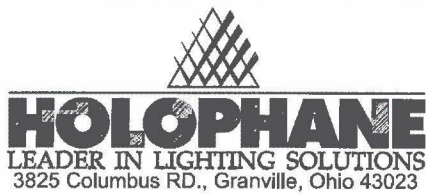
- NOTES:**
1. ONLY AVAILABLE WITH "AS" VOLTAGE
 2. ONLY AVAILABLE IN TYPE 3
 3. FOR AO DATA, REFER TO PAGE 7 OF INSTRUCTION SHEET ON WEBSITE (IM-396)

THIS DRAWING, WHEN APPROVED, SHALL BECOME THE COMPLETE SET OF DRAWINGS FOR THE MATERIAL TO BE FURNISHED BY HOLOPHANE ON THIS ORDER. NO OTHER DRAWINGS SHALL BE SUPPLIED. BUT ONLY AFTER APPROVAL BY THE CUSTOMER BY WRITING. ON POLE ORDERS AN ANCHOR BOLT TEMPLATE PRINT WILL BE PROVIDED WITH EACH ANCHOR BOLT. ORDER TO MATCH THE POLE TEMPLATE. THE CUSTOMER SHALL BE RESPONSIBLE FOR VERIFYING THE LOAD CAPACITY OF THE ANCHOR BOLT TO MATCH THE POLE LOAD CAPACITY. IT WILL NOT BE USED DIRECTLY OR INDIRECTLY IN ANY WAY DETRIMENTAL TO OUR INTERESTS, AND ONLY IN CONNECTION WITH MATERIAL FURNISHED BY HOLOPHANE.

ORDER #:	
TYPE:	RAF
DRAWN:	2/17/2016
DATE:	LUM_MPL2
DWG NO.:	



*TYPE "TR"
 SIGNAL MOUNT.*



TITLE: ARM, FIXTURE and FITTER		QTY:	Type TR
MODEL NO.: 230667106T4V,3DR12520G,4.5"ODX10"LG		DWN BY: ALW	Catalog #s: RFD214667
MATERIAL: ALUMINUM ALLOY		CHK'D BY:	ARM: RBC51/1-CA/RP99P024
FINISH: RP99P024 - FRANKLIN GREEN 80% GLOSS		APPR BY:	STANDARD MATERIAL
PROJECT: HILLSBORO ROAD PHASE 2 01-19-16		DATE: 06/02/16	FITTER: GWLF200SCACMC
SOLD TO: CITY OF FRANKLIN STANDARDS 2016		DWG NO: TSG009569	LUMINAIRE: MPL2P30S40KASCMTG3P
SHIP TO: FRANKLIN, TN		PAGE:	Customer Signature & Date:
P.O. NO: 2111-16-11680-1			
REP: SEAN CLARE			

****CONFIDENTIAL****

The information contained in this drawing is privileged and confidential, and may be protected from disclosure. Please be aware that any use or dissemination of this drawing may be subject to legal restriction or sanction.

△				
△	08/21/16	CORRECTED FIXTURE IN VIEW	MAB	PAGE:
REV	DATE	REVISION DESCRIPTION	BY	3 / 3



POWER OF ATTORNEY

Farmington Casualty Company
Fidelity and Guaranty Insurance Company
Fidelity and Guaranty Insurance Underwriters, Inc.
St. Paul Fire and Marine Insurance Company
St. Paul Guardian Insurance Company

St. Paul Mercury Insurance Company
Travelers Casualty and Surety Company
Travelers Casualty and Surety Company of America
United States Fidelity and Guaranty Company

Attorney-In Fact No. 229499

Certificate No. 006203210

KNOW ALL MEN BY THESE PRESENTS: That Farmington Casualty Company, St. Paul Fire and Marine Insurance Company, St. Paul Guardian Insurance Company, St. Paul Mercury Insurance Company, Travelers Casualty and Surety Company, Travelers Casualty and Surety Company of America, and United States Fidelity and Guaranty Company are corporations duly organized under the laws of the State of Connecticut, that Fidelity and Guaranty Insurance Company is a corporation duly organized under the laws of the State of Iowa, and that Fidelity and Guaranty Insurance Underwriters, Inc., is a corporation duly organized under the laws of the State of Wisconsin (herein collectively called the "Companies"), and that the Companies do hereby make, constitute and appoint

S. Lyle Bates, Jr., Jerry Eugene Horner, Jr., Jim A. Armstrong, Jerry G. Veazey, Jr., Jason J. Young, Trina Cobb, Linda D. Whittington, Peggy L. Jackson, William E. Howard Jr., Brody Eric Buckley, Angela Bullie, Stephen Wesley Price, Jr., and Amanda Jean Charfauros

of the City of Jackson, State of Mississippi, their true and lawful Attorney(s)-in-Fact, each in their separate capacity if more than one is named above, to sign, execute, seal and acknowledge any and all bonds, recognizances, conditional undertakings and other writings obligatory in the nature thereof on behalf of the Companies in their business of guaranteeing the fidelity of persons, guaranteeing the performance of contracts and executing or guaranteeing bonds and undertakings required or permitted in any actions or proceedings allowed by law.


IN WITNESS WHEREOF, the Companies have caused this instrument to be signed and their corporate seals to be hereto affixed, this 5th day of June, 2015.

Farmington Casualty Company
Fidelity and Guaranty Insurance Company
Fidelity and Guaranty Insurance Underwriters, Inc.
St. Paul Fire and Marine Insurance Company
St. Paul Guardian Insurance Company

St. Paul Mercury Insurance Company
Travelers Casualty and Surety Company
Travelers Casualty and Surety Company of America
United States Fidelity and Guaranty Company



State of Connecticut
City of Hartford ss.

By: 
Robert L. Raney, Senior Vice President

On this the 5th day of June, 2015, before me personally appeared Robert L. Raney, who acknowledged himself to be the Senior Vice President of Farmington Casualty Company, Fidelity and Guaranty Insurance Company, Fidelity and Guaranty Insurance Underwriters, Inc., St. Paul Fire and Marine Insurance Company, St. Paul Guardian Insurance Company, St. Paul Mercury Insurance Company, Travelers Casualty and Surety Company, Travelers Casualty and Surety Company of America, and United States Fidelity and Guaranty Company, and that he, as such, being authorized so to do, executed the foregoing instrument for the purposes therein contained by signing on behalf of the corporations by himself as a duly authorized officer.

In Witness Whereof, I hereunto set my hand and official seal.
My Commission expires the 30th day of June, 2016.




Marie C. Tetreault, Notary Public

This Power of Attorney is granted under and by the authority of the following resolutions adopted by the Boards of Directors of Farmington Casualty Company, Fidelity and Guaranty Insurance Company, Fidelity and Guaranty Insurance Underwriters, Inc., St. Paul Fire and Marine Insurance Company, St. Paul Guardian Insurance Company, St. Paul Mercury Insurance Company, Travelers Casualty and Surety Company, Travelers Casualty and Surety Company of America, and United States Fidelity and Guaranty Company, which resolutions are now in full force and effect, reading as follows:

RESOLVED, that the Chairman, the President, any Vice Chairman, any Executive Vice President, any Senior Vice President, any Vice President, any Second Vice President, the Treasurer, any Assistant Treasurer, the Corporate Secretary or any Assistant Secretary may appoint Attorneys-in-Fact and Agents to act for and on behalf of the Company and may give such appointee such authority as his or her certificate of authority may prescribe to sign with the Company's name and seal with the Company's seal bonds, recognizances, contracts of indemnity, and other writings obligatory in the nature of a bond, recognizance, or conditional undertaking, and any of said officers or the Board of Directors at any time may remove any such appointee and revoke the power given him or her; and it is

FURTHER RESOLVED, that the Chairman, the President, any Vice Chairman, any Executive Vice President, any Senior Vice President or any Vice President may delegate all or any part of the foregoing authority to one or more officers or employees of this Company, provided that each such delegation is in writing and a copy thereof is filed in the office of the Secretary; and it is

FURTHER RESOLVED, that any bond, recognizance, contract of indemnity, or writing obligatory in the nature of a bond, recognizance, or conditional undertaking shall be valid and binding upon the Company when (a) signed by the President, any Vice Chairman, any Executive Vice President, any Senior Vice President or any Vice President, any Second Vice President, the Treasurer, any Assistant Treasurer, the Corporate Secretary or any Assistant Secretary and duly attested and sealed with the Company's seal by a Secretary or Assistant Secretary; or (b) duly executed (under seal, if required) by one or more Attorneys-in-Fact and Agents pursuant to the power prescribed in his or her certificate or their certificates of authority or by one or more Company officers pursuant to a written delegation of authority; and it is

FURTHER RESOLVED, that the signature of each of the following officers: President, any Executive Vice President, any Senior Vice President, any Vice President, any Assistant Vice President, any Secretary, any Assistant Secretary, and the seal of the Company may be affixed by facsimile to any Power of Attorney or to any certificate relating thereto appointing Resident Vice Presidents, Resident Assistant Secretaries or Attorneys-in-Fact for purposes only of executing and attesting bonds and undertakings and other writings obligatory in the nature thereof, and any such Power of Attorney or certificate bearing such facsimile signature or facsimile seal shall be valid and binding upon the Company and any such power so executed and certified by such facsimile signature and facsimile seal shall be valid and binding on the Company in the future with respect to any bond or understanding to which it is attached.

I, Kevin E. Hughes, the undersigned, Assistant Secretary, of Farmington Casualty Company, Fidelity and Guaranty Insurance Company, Fidelity and Guaranty Insurance Underwriters, Inc., St. Paul Fire and Marine Insurance Company, St. Paul Guardian Insurance Company, St. Paul Mercury Insurance Company, Travelers Casualty and Surety Company, Travelers Casualty and Surety Company of America, and United States Fidelity and Guaranty Company do hereby certify that the above and foregoing is a true and correct copy of the Power of Attorney executed by said Companies, which is in full force and effect and has not been revoked.

IN TESTIMONY WHEREOF, I have hereunto set my hand and affixed the seals of said Companies this _____ day of AUG 08 2016, 20 ____.

WARNING: THIS POWER OF ATTORNEY IS INVALID WITHOUT THE RED BORDER

Kevin E. Hughes
Kevin E. Hughes, Assistant Secretary



To verify the authenticity of this Power of Attorney, call 1-800-421-3880 or contact us at www.travelersbond.com. Please refer to the Attorney-In-Fact number, the above-named individuals and the details of the bond to which the power is attached.



**Supplemental Agreement and/or Request for Construction Change
 Change Order Request # 4**

Project Title/Termini: Hillsboro Road Widening - Phase II
 Owner: City of Franklin, Tennessee PIN: 108409.00
 Address: 109 3rd Avenue South State Project No.: 94014-3230-04
Franklin, TN 37064 Federal Project No.: STP-EN-106(22)
 Date Prepared: 7/25/2016 Contract No.: 2015-0002
 County: Williamson

Whereas, we Eutaw Construction Company, Inc. with Travelers Casualty and Surety Company of America, as a Surety, entered into a contract with City of Franklin, Tennessee, on March 8th, 2016, for the construction by said Contractor of the above designated contract; and *Whereas*, certain items of construction encountered, are not covered by the original contract, we desire to submit the following additional items of construction to be performed by the Contractor and paid by the Owner at the price(s) scheduled therefore below:

The purpose of this Change Order is to:

modify the contract documents to include the use of horizontal directional drilling installation of required water line services piping under Hillsboro Road. This will eliminate as many as five (5) open cut road crossings on Hillsboro Road, thereby eliminating extensive lane closures and traffic delays and improve safety for motorists.

As a result of this Change Order, contract time shall:

Not Change, Increase by _____ days, Decrease by _____ days

Original contraction Completion Time: 430 days (Date: 6/21/2017)

Approved Change Orders: 0

Current Change Order: 0

Contract Completion Time with Change Orders: 430 days (Date: 6/21/2017)

Unit prices listed below include labor, materials, profit, overhead, and incidentals necessary to complete this work. A separate attached spreadsheet with the same information may be used in lieu of the table below.

Item No.	Description	Unit	Current/ Pending Quantities	Revised Quantities	QTY Over + QTY Under	Contract Price	Net Amount Due Change
795-05.14	HDD 1.25 IINCH HDPE Casing Pipe-Uncon	LF	0	700	0	\$34.00	\$23,800.00
795-15.26	1-1/2" Steel Casing Pipe Open Cut Method	LF	500	0	-500	\$17.00	-\$8,500.00



Local Government Guidelines Form 8-30
March 1, 2016

Bid Contract Amount: \$11,995,005.13
Current Change Order: \$15,300
Approved Change Orders: \$-9,633.50
Pending Change Orders: \$0
Total Change Orders to Date: \$5,666.50

**Supplemental Agreement and/or Request for Construction Change
Change Order Request # 4**

Project Title/Termini: Hillsboro Road Widening - Phase II
Owner: City of Franklin, Tennessee PIN: 108409.00
Address: 109 3rd Avenue South State Project No.: 94014-3230-04
Franklin, TN 37064 Federal Project No.: STP-EN-106(22)
Date Prepared: 9/14/2016 Contract No.: 2015-0002
County: Williamson

Now, Therefore, We, Eutaw Construction Company, Inc., Contractors, and Travelers Casualty and Surety Company of America, Surety, hereby agree to the Supplemental Agreement consisting of the above mentioned items and prices, and agree that this Supplemental Agreement is hereby made a part of the original contract and will be performed by this Contractor in accordance with specifications thereof, and that the original contract remain in full force and effect, except insofar as specifically modified by this Supplemental Agreement.

Recommended for Approval


By:  9/19/16
Engineer/CEI Date

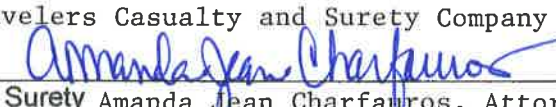
Approved for Eligibility:

APPROVED
By Denise Baker at 10:06 am, Oct 07, 2016

By: _____ Date
Local Programs Planner


Approved By:

By:  _____ Date
Contractor

Travelers Casualty and Surety Company of America
By:  _____ Date 9-28-2016
Surety Amanda Jean Charfauros, Attorney-In-Fact



Local Government Guidelines Form 8-30
March 1, 2016

By:  09/27/2016
Owner Date

Average Unit Prices - 2015 Awarded Contracts

Item Number	Description	Unit of Measure	Region	Average Unit Price	Total Cost	Total Quantity
795-03.08	12IN PVC WATER LINE	L.F.	STATE 4	\$24.52	\$77,483.20	3160.00
795-05.01	HDD 2IN HDPE CARRIER PIPE-UNCON	L.F.	STATE 3	\$61.46	\$333,286.70	5423.00
795-05.02	HDD 4IN HDPE CASING PIPE-UNCON	L.F.	STATE 4	\$34.00	\$35,530.00	1045.00
795-05.05	HDD 10IN HDPE CASING PIPE-UNCON	L.F.	STATE 2	\$380.45	\$102,721.50	270.00
795-05.14	HDD __IN HDPE CASING PIPE-UNCON	L.F.	STATE 2	\$50.00	\$10,000.00	200.00
795-05.18	HDD 8IN HDPE CASING PIPE-ROCK	L.F.	STATE 3	\$213.20	\$106,600.00	500.00
795-05.19	HDD 10IN HDPE CASING PIPE-ROCK	L.F.	STATE 3	\$293.96	\$44,094.00	150.00
795-05.22	HDD 16IN HDPE CASING PIPE-ROCK	L.F.	STATE 1	\$437.47	\$590,584.50	1350.00
795-05.60	BORE/JACK 6IN STEEL CASING PIPE-UNCON.	L.F.	STATE 2	\$257.50	\$30,900.00	120.00
795-05.63	BORE/JACK 12IN STEEL CASING PIPE-UNCON.	L.F.	STATE 3	\$200.50	\$29,072.50	145.00
795-05.65	BORE/JACK 16IN STEEL CASING PIPE-UNCON.	L.F.	STATE 1	\$275.19	\$77,053.60	280.00
795-05.66	BORE/JACK 18IN STEEL CASING PIPE-UNCON.	L.F.	STATE 2	\$249.77	\$101,907.00	408.00
795-05.67	BORE/JACK 20IN STEEL CASING PIPE-UNCON.	L.F.	STATE 3	\$222.38	\$565,569.20	2660.00
795-05.68	BORE/JACK 24IN STEEL CASING PIPE-UNCON.	L.F.	STATE 4	\$350.90	\$17,545.00	50.00
795-05.69	BORE/JACK 30IN STEEL CASING PIPE-UNCON.	L.F.	STATE 2	\$270.00	\$112,860.00	418.00
795-05.71	BORE/JACK __IN STEEL CASING PIPE-ROCK.	L.F.	STATE 2	\$145.00	\$163,125.00	1125.00
795-05.77	BORE/JACK 12IN STEEL CASING PIPE-ROCK.	L.F.	STATE 4	\$360.50	\$133,385.00	370.00
795-05.79	BORE/JACK 16IN STEEL CASING PIPE-ROCK.	L.F.	STATE 3	\$160.00	\$12,160.00	76.00



**Supplemental Agreement and/or Request for Construction Change
 Change Order Request # 5**

Project Title/Termini: Hillsboro Road Widening - Phase II
 Owner: City of Franklin, Tennessee PIN: 108409.00
 Address: 109 3rd Avenue South State Project No.: 94014-3230-04
Franklin, TN 37064 Federal Project No.: STP-EN-106(22)
 Date Prepared: 7/25/2016 Contract No.: 2015-0002
 County: Williamson

Whereas, we Eutaw Construction Company, Inc. with Travelers Casualty and Surety Company of America, as a Surety, entered into a contract with City of Franklin, Tennessee, on March 8th, 2016, for the construction by said Contractor of the above designated contract; and *Whereas*, certain items of construction encountered, are not covered by the original contract, we desire to submit the following additional items of construction to be performed by the Contractor and paid by the Owner at the price(s) scheduled therefore below:

The purpose of this Change Order is to:

modify the contract documents to include tree trimming, pruning and removal of 9 existing trees at the edge of the proposed right-of-way due to root damage caused during excavation of the proposed water and sewer utilities. Tree removals are requested by the property owners due to concern the root damage will kill the trees and require removal at their expense.

As a result of this Change Order, contract time shall:

Not Change, Increase by _____ days, Decrease by _____ days

Original contraction Completion Time: 430 days (Date: 6/21/2017)

Approved Change Orders: 0

Current Change Order: 0

Contract Completion Time with Change Orders: 430 days (Date: 6/21/2017)

Unit prices listed below include labor, materials, profit, overhead, and incidentals necessary to complete this work. A separate attached spreadsheet with the same information may be used in lieu of the table below.

Item No.	Description	Unit	Current/ Pending Quantities	Revised Quantities	QTY Over + QTY Under -	Contract Price	Net Amount Due Change
201-07.01	Removal and Disposal of Brush and Trees	EA	0	9		\$2100.00	\$18,900.00

Bid Contract Amount: \$11,995,005.13



Local Government Guidelines Form 8-30
March 1, 2016

Current Change Order: \$18,900
Approved Change Orders: \$-9,633.50
Pending Change Orders: \$15,300
Total Change Orders to Date: \$24,566.50

**Supplemental Agreement and/or Request for Construction Change
Change Order Request # 5**

Project Title/Termini: Hillsboro Road Widening - Phase II
Owner: City of Franklin, Tennessee PIN: 108409.00
Address: 109 3rd Avenue South State Project No.: 94014-3230-04
Franklin, TN 37064 Federal Project No.: STP-EN-106(22)
Date Prepared: 9/14/2016 Contract No.: 2015-0002
County: Williamson

Now, Therefore, We, Eutaw Construction Company, Inc., Contractors, and Travelers Casualty and Surety Company of America, Surety, hereby agree to the Supplemental Agreement consisting of the above mentioned items and prices, and agree that this Supplemental Agreement is hereby made a part of the original contract and will be performed by this Contractor in accordance with specifications thereof, and that the original contract remain in full force and effect, except insofar as specifically modified by this Supplemental Agreement.

Recommended for Approval

By: [Signature] 9/19/16
Engineer/CEI Date

Approved for Eligibility:

By: **APPROVED**
By Denise Baker at 10:06 am, Oct 07, 2016
Local Programs Planner Date

Approved By:

By: [Signature]
Contractor Date

Travelers Casualty and Surety Company of America
By: [Signature]
Surety Amanda Jean Charfauros, Attorney-In-Fact Date 9-28-2016

By: _____




Owner

Local Government Guidelines Form 8-30
March 1, 2016
09/27/2016
Date

8/30/2016

Spectrum - Dexter & Chaney, LLC

Franklin Tree Service LLC
5130 Clarksville Hwy
Whites Creek, TN 37189
franklntreeservice@yahoo.com



ESTIMATE

In Row

ADDRESS
Eutaw Construction Co. Inc.
P.O. Box 36
Aberdeen, MS 39730

ESTIMATE # 1051
DATE 07/18/2016

ACTIVITY	QTY	RATE	AMOUNT
Sales Removal of (9) large trees located along Hillsboro Road between Wendy's Restaurant located at 601 Hillsboro Road and Franklin High School located at 810 Hillsboro Road, Franklin, TN 37064. (7) stumps to be ground (2) to be removed by Eutaw Construction.	1	14,000.00	14,000.00
Hillsboro Road Project: Phase Two for Franklin Tree		TOTAL	\$14,000.00

Accepted By

Accepted Date

5/20/16

8/30/2016

Spectrum - Dexter & Chaney, LLC

Purchase Order

Billing Address:

Eutaw Construction Company, Inc.
 P.O. Box 36
 Aberdeen, MS 39730
 Phone: (615) 538-4261
 Fax: (615) 236-9653
 E-mail: mmcqueen@eutaw.com
 File:

HILLSBORO ROAD WIDENING PH. 2

Purchase Order No. 16031-07
 Order Date 30-Jun-16
 Payment Terms net 26th, following month

F.O.B. JOBSITE

SCANNED

TO:
 Franklin Tree Service Co.
 6130 Clarksville Hwy
 Whites Creek, TN 37189

SHIPPED TO:
 Eutaw Construction Co., Inc.
 1008 Hillsboro Road (approximate)
 Franklin, TN 37064

SEG NO.	QUANTITY	UNIT	DESCRIPTION	UNIT PRICE	AMOUNT
201-001	1	LB	Tree Removal, Stump Grinding Removal and Stump Grinding of 7 Trees	\$ 14,000.00	\$ 14,000.00

PLEASE PROVIDE ELECTRONIC COPY OF MATERIAL SUBMITTALS INCLUDING TDOT T-2 FORMS.
 ALL IRON AND STEEL MATERIALS TO BE IN ACCORDANCE WITH DOT SPECIAL PROVISION 108A.
 ALL MATERIAL TO BE IN COMPLIANCE WITH PLANS & SPECIFICATIONS.
 QUANTITIES SHOWN ABOVE ARE NOT ABSOLUTE AND MAY VARY.

NOTE: PURCHASE ORDER NUMBER MUST BE SHOWN ON INVOICE TO RECEIVE PAYMENT.
 NOTE: PO CONTINGENT UPON OWNER AND ENGINEER APPROVAL OF SUBMITTALS.
 NOTE: BILLING ADDRESS -> P.O. BOX 36, ABERDEEN, MS 39730
 DO NOT SHIP WITHOUT PRIOR NOTIFICATION & APPROVAL OF PROJECT MGR. OR PROJECT SUPT.

SUBTOTAL	\$	14,000.00
TAX (9.25%)		1,300.00
FREIGHT		00.00
TOTAL	\$	14,000.00
(approximate)		


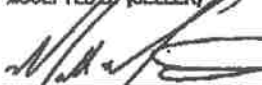
PURCHASE ORDER SUBJECT TO TERMS & CONDITIONS ON REVERSE SIDE.

Send Correspondence To:
 Matthew K. McQueen
 Eutaw Construction Company, Inc.
 1224-B Columbia Ave., Suite 200
 Franklin, TN 37064
 Office: (615) 538-4261

Questions concerning this purchase order?

Chance Morreale
 Project Administrator (601) 833-6799 cell

Robert Sheffield
 Superintendent (662) 368-1311 cell


 ACCEPTED BY (SELLER)

 APPROVED BY (BUYER)

7/5/16
 DATE
 July 6th, 2016
 DATE

8/24/2016

Spectrum Document Imaging

Franklin Tree Service LLC
5130 Clarksville Hwy
Whites Creek, TN 37189
franklintreeservice@yahoo.com



INVOICE

In Row

BILL TO
Eutaw Construction Co. Inc.
P.O. Box 38
Aberdeen, MS 39730

INVOICE # 1066
DATE 08/12/2016
DUE DATE 08/12/2016
TERMS Due on receipt

ACTIVITY	QTY	RATE	AMOUNT
Sales Removal of (9) large trees located along Hillsboro Road between Wendy's Restaurant located at 601 Hillsboro Road and Franklin High School located at 810 Hillsboro Road, Franklin, TN 37064. (7) stumps to be ground (2) to be removed by Eutaw Construction.	1	14,000.00	14,000.00
Hillsboro Road project		BALANCE DUE	\$14,000.00

8/24/2016

Spectrum Document Imaging

Purchase Order

SCANNED

Billing Address:

Eutaw Construction Company, Inc.

P.O. Box 36
 Aberdeen, MS 39730

Phone: (615) 538-4261

Fax: (615) 238-9863

E-mail: kmccqueen@eutaw.us

File:

TO:

Franklin Tree Service Co.
 5130 Clarksville Hwy
 Whites Creek, TN 37189

HILLSBORO ROAD WIDENING PH 2

Purchase Order No. 16031-10
 Order Date 18-Jul-16
 Payment Terms net 25th, following month

F.O.B. JOBSITE

SHIPPED TO:
 Eutaw Construction Co., Inc.
 1008 Hillsboro Road (approximate)
 Franklin, TN 37064

SEG NO.	QUANTITY	UNIT	DESCRIPTION	UNIT PRICE	AMOUNT
201-001	1	LS	Tree Removal, Stump Grinding Removal and Stump Grinding of 9 Trees	\$ 14,000.00	\$ 14,000.00

PLEASE PROVIDE ELECTRONIC COPY OF MATERIAL SUBMITTALS INCLUDING TDOT T-2 FORMS.
 ALL IRON AND STEEL MATERIALS TO BE IN ACCORDANCE WITH DOT SPECIAL PROVISION 108A.
 ALL MATERIAL TO BE IN COMPLIANCE WITH PLANS & SPECIFICATIONS.
 QUANTITIES SHOWN ABOVE ARE NOT ABSOLUTE AND MAY VARY.

NOTE: PURCHASE ORDER NUMBER MUST BE SHOWN ON INVOICE TO RECEIVE PAYMENT.

NOTE: PO CONTINGENT UPON OWNER AND ENGINEER APPROVAL OF SUBMITTALS.

NOTE: BILLING ADDRESS -> P.O. BOX 36, ABERDEEN, MS 39730

DO NOT SHIP WITHOUT PRIOR NOTIFICATION &
 APPROVAL OF PROJECT MGR. -OR- PROJECT SUPT.

PURCHASE ORDER SUBJECT TO TERMS &
 CONDITIONS ON REVERSE SIDE.

SUBTOTAL	\$	14,000.00
TAX (9.25%)		Incl
FREIGHT		\$0.00
TOTAL	\$	14,000.00
(approximate)		

Send Correspondence To:
 Matthew K. McQueen
 Eutaw Construction Company, Inc.
 1224-B Columbia Ave., Suite 200
 Franklin, TN 37064
 Office: (615) 538-4261


Questions concerning this purchase order?

Chance Morreale
 Project Administrator (901) 833-6789 cell

Robert Sheffield
 Superintendent (862) 368-1311 cell


 ACCEPTED BY (SELLER)

7-18-16
 DATE


 APPROVED BY (BUYER)

July 18th, 2016
 DATE

8/24/2016

Spectrum Document Imaging

Franklin Tree Service LLC
5130 Clarksville Hwy
Whites Creek, TN 37189
franklntreeservice@yahoo.com



INVOICE

BILL TO
Eutaw Construction Co. Inc.
P.O. Box 98
Aberdeen, MS 39730

INVOICE # 1067
DATE 08/12/2016
DUE DATE 08/12/2016
TERMS Due on receipt

ACTIVITY	QTY	RATE	AMOUNT
Sales Change order 8/8/16: Removal of one large Magnolia Tree	1	2,000.00	2,000.00
Hillsboro Road project		BALANCE DUE	\$2,000.00

8/30/2016

Spectrum Document Imaging

Franklin Tree Service LLC
5130 Clarksville Hwy
White Creek, TN 37189
frankintreeservice@yahoo.com



INVOICE

BILL TO
Eutaw Construction Co. Inc.
P.O. Box 36
Aberdeen, MS 39730

INVOICE # 1069
DATE 08/27/2018
DUE DATE 08/27/2016
TERMS Due on receipt

ACTIVITY	QTY	RATE	AMOUNT
Sales Removal of (4) additional trees. Ordered 8/15/18 Order number 16031-07	1	8,000.00	8,000.00
Hillsboro Road Improvement		BALANCE DUE	\$8,000.00

Purchase Order

Billing Address:

Eutaw Construction Company, Inc.

P.O. Box 36
 Aberdeen, MS 38730
 Phone: (615) 538-4261
 Fax: (615) 236-9953
 E-mail: mmcqueen@eutaw.us
 File:

HILLSBORO ROAD WIDENING PH. 2

Purchase Order No. 16031-07
 Order Date 15-Aug-16
 Payment Terms net 25th, following month

F.O.B. JOBSITE

TO:

Franklin Tree Service Co.
 8130 Clarksville Hwy
 Whites Creek, TN 37189

SHIPPED TO:
 Eutaw Construction Co., Inc.
 1009 Hillsboro Road (approximate)
 Franklin, TN 37064

SEG NO.	QUANTITY	UNIT	DESCRIPTION	UNIT PRICE	AMOUNT
201-001	1	LS	Tree Removal, Stump Grinding Removal of (4) Additional Tree	\$ 8,000.00	\$ 8,000.00

PLEASE PROVIDE ELECTRONIC COPY OF MATERIAL SUBMITTALS INCLUDING TDOT T-2 FORMS
 ALL IRON AND STEEL MATERIALS TO BE IN ACCORDANCE WITH DOT SPECIAL PROVISION 106A.
 ALL MATERIAL TO BE IN COMPLIANCE WITH PLANS & SPECIFICATIONS.
 QUANTITIES SHOWN ABOVE ARE NOT ABSOLUTE AND MAY VARY.

NOTE: PURCHASE ORDER NUMBER MUST BE ON ALL INVOICES TO RECEIVE PAYMENT
 NOTE: NO CONSENT OF OWNER AND SUPERVISOR REQUIRED FOR SHIPMENT
 NOTE: BILLING ADDRESS - P.O. BOX 36, ABERDEEN, MS 38730

**DO NOT SHIP WITHOUT PRIOR NOTIFICATION &
 APPROVAL OF PROJECT MGR. -OR- PROJECT SUPT.**

SUBTOTAL	\$	8,000.00
TAX (9.25%)		Incl
FREIGHT		\$0.00
TOTAL	\$	8,000.00
(approximate)		

**PURCHASE ORDER SUBJECT TO TERMS &
 CONDITIONS ON REVERSE SIDE.**

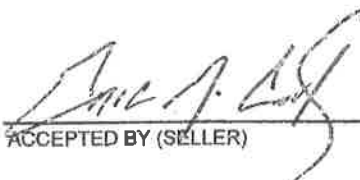
Send Correspondence To:

Matthew K. McQueen
 Eutaw Construction Company, Inc.
 1224-B Columbia Ave., Suite 200
 Franklin, TN 37064
 Office: (615) 538-4261

Questions concerning this purchase order?

Chance Morreale
 Project Administrator (901) 833-6799 cell

Robert Sheffield
 Superintendent (662) 369-1311 cell


 ACCEPTED BY (SELLER)

8. 19. 16
 DATE

APPROVED BY (BUYER)

DATE

8/30/2016

Spectrum Document Imaging

Franklin Tree Service LLC
5130 Clarksville Hwy
Whites Creek, TN 37189
frankintreeservice@yahoo.com



INVOICE

BILL TO
Eutaw Construction Co. Inc.
P.O. Box 38
Aberdeen, MS 39730

INVOICE # 1070
DATE 08/27/2016
DUE DATE 08/27/2016
TERMS Due on receipt

ACTIVITY	QTY	RATE	AMOUNT
Sales Trimming of Roots & Limbs for (1) large Maple Tree. Ordered 8/18/16. Order number 16031-07	1	2,000.00	2,000.00
Hillsboro Road Improvement		BALANCE DUE	\$2,000.00

Purchase Order

Billing Address:

Eutaw Construction Company, Inc.

P.O. Box 36
 Aberdeen, MS 39730
Phone: (615) 538-4261
Fax: (615) 236-9953
E-mail: mjmcqueen@eutaw.us
File:

HILLSBORO ROAD WIDENING PH. 2

Purchase Order No. 16031-07
Order Date 18-Aug-16
Payment Terms net 25th, following month

F.O.B. JOBSITE

TO:

Franklin Tree Service Co
 5150 Clarksville Hwy
 Whites Creek, TN 37189

SHIPPED TO:

Eutaw Construction Co., Inc.
 1009 Hillsboro Road (approximate)
 Franklin, TN 37064

SEG NO.	QUANTITY	UNIT	DESCRIPTION	UNIT PRICE	AMOUNT
201-001	1	LS	Tree Removal, Stump Grinding Trimming of Roots & Limbs for (1) Large Maple Tree	\$ 2,000.00	\$ 2,000.00

PLEASE PROVIDE ELECTRONIC COPY OF MATERIAL SUBMITTALS INCLUDING TYPOT T-2 FORMS
 ALL IRON AND STEEL MATERIALS TO BE IN ACCORDANCE WITH DOT SPECIAL PROVISION 106A.
 ALL MATERIAL TO BE IN COMPLIANCE WITH PLANS & SPECIFICATIONS.
 QUANTITIES SHOWN ABOVE ARE NOT ABSOLUTE AND MAY VARY

NOTE: PURCHASE ORDER IN FULL MUST BE RECEIVED IN FULL FROM BUYER BEFORE PAYMENT
 FROM BUYER CONTINGENT UPON OWNER'S AND ENGINEER'S APPROVAL OF SUBMITTALS.
 NOTE: BILLING ADDRESS - P.O. BOX 36, ABERDEEN, MS 39730

**DO NOT SHIP WITHOUT PRIOR NOTIFICATION &
 APPROVAL OF PROJECT MGR. -OR- PROJECT SUPT.**

**PURCHASE ORDER SUBJECT TO TERMS &
 CONDITIONS ON REVERSE SIDE.**

Send Correspondence To:
 Matthew K. McQueen
 Eutaw Construction Company, Inc.
 1224-B Columbia Ave., Suite 200
 Franklin, TN 37064
 Office: (615) 538-4261

SUBTOTAL	\$	2,000.00
TAX (9.25%)		(incl)
FREIGHT		\$0.00
TOTAL	\$	2,000.00
(approximate)		

Questions concerning this purchase order?

Chance Morreale
 Project Administrator (901) 833-6799 cell

Robert Sheffield
 Superintendent (662) 369-1311 cell


 ACCEPTED BY (SELLER)

8. 19. 16.
 DATE

APPROVED BY (BUYER)

DATE

8/24/2016

Spectrum Document Imaging

Franklin Tree Service LLC
5130 Clarksville Hwy
Whites Creek, TN 37189
franklintreeservice@yahoo.com



INVOICE

BILL TO
Eutaw Construction Co. Inc.
P.O. Box 38
Aberdeen, MS 39730

INVOICE # 1068
DATE 08/12/2016
DUE DATE 08/12/2016
TERMS Due on receipt

ACTIVITY	QTY	RATE	AMOUNT
Sales Change order: 8/9/16 Removal of (3) additional trees	1	6,000.00	6,000.00
Hilaboro Road project		BALANCE DUE	\$6,000.00

8/24/2016

Spectrum Document Imaging

Purchase Order

Billing Address:

Eutaw Construction Company, Inc.
 P.O. Box 36
 Aberdeen, MS 39730
 Phone: (615) 638-4261
 Fax: (615) 236-9063
 E-mail: mmccouen@eutaw.us
 File:

HILLSBORO ROAD WIDENING PH. 2

Purchase Order No. 16031-07
 Order Date 9-Aug-16
 Payment Terms net 25th, following month
 F.O.B. JOBSITE

SCANNED

TO:

Franklin Tree Service Co.
 5130 Clarksville Hwy
 Whites Creek, TN 37189

SHIPPED TO:

Eutaw Construction Co., Inc.
 1009 Hillsboro Road (approximate)
 Franklin, TN 37064

SEQ NO.	QUANTITY	UNIT	DESCRIPTION	UNIT PRICE	AMOUNT
201-001	1	LS	Tree Removal, Stump Grinding Removal of (3) Additional Trees	\$ 6,000.00	\$ 6,000.00
PLEASE PROVIDE ELECTRONIC COPY OF MATERIAL SUBMITTALS INCLUDING TDOT T-2 FORMS. ALL IRON AND STEEL MATERIALS TO BE IN ACCORDANCE WITH DOT SPECIAL PROVISION 106A. ALL MATERIAL TO BE IN COMPLIANCE WITH PLANS & SPECIFICATIONS. QUANTITIES SHOWN ABOVE ARE NOT ABSOLUTE AND MAY VARY.					
NOTE: PURCHASE ORDER NUMBER MUST BE SHOWN ON INVOICE TO RECEIVE PAYMENT.					
NOTE: PO CONTINGENT UPON OWNER AND ENGINEER APPROVAL OF SUBMITTALS.					
NOTE: BILLING ADDRESS -> P.O. BOX 36, ABERDEEN, MS 39730					
DO NOT SHIP WITHOUT PRIOR NOTIFICATION & APPROVAL OF PROJECT MGR. -OR- PROJECT SUPT.				SUBTOTAL	\$ 6,000.00
PURCHASE ORDER SUBJECT TO TERMS & CONDITIONS ON REVERSE SIDE.				TAX (9.25%)	Incl \$0.00
				FREIGHT	\$0.00
				TOTAL	\$ 6,000.00
				(approximate)	

Send Correspondence To:

Matthew K. McQueen
 Eutaw Construction Company, Inc.
 1224-B Columbia Ave., Suite 200
 Franklin, TN 37064
 Office: (615) 638-4261

Questions concerning this purchase order?

Chance Morreale
 Project Administrator (901) 833-6799 call

Robert Sheffield
 Superintendent (662) 369-1311 call

ACCEPTED BY (SELLER)

DATE

APPROVED BY (BUYER)

DATE



**Supplemental Agreement and/or Request for Construction Change
 Change Order Request # 6**

Project Title/Termini:	<u>Hillsboro Road Widening - Phase II</u>		
Owner:	<u>City of Franklin, Tennessee</u>	PIN:	<u>108409.00</u>
Address:	<u>109 3rd Avenue South</u>	State Project No.:	<u>94014-3230-04</u>
	<u>Franklin, TN 37064</u>	Federal Project No.:	<u>STP-EN-106(22)</u>
Date Prepared:	<u>7/25/2016</u>	Contract No.:	<u>2015-0002</u>
		County:	<u>Williamson</u>

Whereas, we Eutaw Construction Company, Inc. with Travelers Casualty and Surety Company of America, as a Surety, entered into a contract with City of Franklin, Tennessee, on March 8th, 2016, for the construction by said Contractor of the above designated contract; and *Whereas*, certain items of construction encountered, are not covered by the original contract, we desire to submit the following additional items of construction to be performed by the Contractor and paid by the Owner at the price(s) scheduled therefore below:

The purpose of this Change Order is to:

Add Item No. 712-07.03 Temporary Barricades (Type III) to the contract documents to be used for traffic control needs on the project. The barricades will be used to provide temporary closures of side roads during utility crossings or used as directed by the project engineer.

As a result of this Change Order, contract time shall:

Not Change, Increase by _____ days, Decrease by _____ days

Original contraction Completion Time: 430 days (Date: 6/21/2017)

Approved Change Orders: 0

Current Change Order: 0

Contract Completion Time with Change Orders: 430 days (Date: 6/21/2017)

Unit prices listed below include labor, materials, profit, overhead, and incidentals necessary to complete this work. A separate attached spreadsheet with the same information may be used in lieu of the table below.

Item No.	Description	Unit	Current/ Pending Quantities	Revised Quantities	QTY Over + QTY Under -	Contract Price	Net Amount Due Change
712-07.03	Temporary Barricades (Type III)	LF		200	200	\$25.75	\$5,150.00
						\$	\$
						\$	\$
						\$	\$
						\$	\$

Bid Contract Amount: \$11,995,005.13

Current Change Order: \$5,150.00

Approved Change Orders: \$24,566.50



Local Government Guidelines Form 8-30
March 1, 2016

Pending Change Orders: \$0
Total Change Orders to Date: \$29,716.60

**Supplemental Agreement and/or Request for Construction Change
Change Order Request # 0**

Project Title/Termini:	<u>Hillboro Road Widening - Phase II</u>		
Owner:	<u>City of Franklin, Tennessee</u>	PIN:	<u>108409.00</u>
Address:	<u>108 3rd Avenue South</u>	State Project No.:	<u>9-014-3230-04</u>
	<u>Franklin, TN 37064</u>	Federal Project No.:	<u>STP-EN-106(22)</u>
Date Prepared:	<u>7/25/2016</u>	Contract No.:	<u>2015-0002</u>
		County:	<u>Williamson</u>

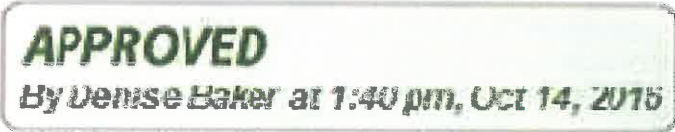
Now, Therefore, We, Eutaw Construction Company, Inc., Contractors, and Travelers Casualty and Surety Company of America, Surety, hereby agree to the Supplemental Agreement consisting of the above mentioned items and prices, and agree that this Supplemental Agreement is hereby made a part of the original contract and will be performed by this Contractor in accordance with specifications thereof, and that the original contract remain in full force and effect, except insofar as specifically modified by this Supplemental Agreement.

Recommended for Approval

By:  _____ Date: 10/12/16

Engineer CE

Approved for Eligibility:

By:  _____ Date: _____

Local Programs Planner

APPROVED
By Denise Baker at 1:40 pm, Oct 14, 2016

Approved By:

By:  _____ Date: _____

Contractor

By:  _____ Date: 10-17-2016

Surety Amanda Jean Charafinos, Attorney-In-Fact

By:  _____ Date: 11/03/2016

Owner

TKM INC.
915 WEAVER BOTTOM ROAD
CELINA, TN 38551

JULY 27, 2016

Temporary Barricades Type III (712-07.03) Additions

Hillsboro Road Widening Phase II Franklin Co Contract No. 2015-0002

Submitted to: Eutaw Construction
1224- B Columbia Ave Suite 200
Franklin, TN 37004

TKM Inc. is to furnish Temporary Barricades Type III (712-07.03) one time and no maintenance for project Hillsboro Road Widening Phase II Contract No. 2015-0002. Price to be paid \$24.50 LF.

ACCEPTED:

TITLE:

RESPECTFULLY SUBMITTED,

TKM INC

BY:

Jammi Keton

TITLE:

President

TENNESSEE PAY ITEM REPORT

Gresham Smith & Partners

Date: 10/13/2016
 Time: 09:21:02

Pay Item: 712-07.03 TEMPORARY BARRICADES (TYPE III)

TOTALS	High:	50.00	Wtd. Average:	16.43	Total Quan:	3,766.00	Count:	43
	Low:	10.00	Strt. Average:	17.51	Avg. Quan:	87.58	Median:	15.50
			Std Deviation:	6.47				

Contractor	County	Position	Bid Date	Quantity	Unit	Unit Price	Extension
brown builders inc	sumner	1	10/16/2015	200.00	L.F.	10.10	2,020.00
rogers group, inc.	sumner	2	10/16/2015	200.00	L.F.	15.40	3,080.00
hoover inc	rutherford	1	12/04/2015	160.00	L.F.	10.00	1,600.00
sessions paving company	rutherford	2	12/04/2015	160.00	L.F.	15.00	2,400.00
jones brothers, inc.	rutherford	3	12/04/2015	160.00	L.F.	10.00	1,600.00
mid-state construction co., inc.	marshall	1	12/04/2015	106.00	L.F.	11.77	1,247.62
jamison construction, llc	marshall	2	12/04/2015	106.00	L.F.	20.00	2,120.00
jones brothers, inc.	marshall	3	12/04/2015	106.00	L.F.	13.25	1,404.50
bell & associates construction, lp	bedford	1	12/04/2015	80.00	L.F.	21.70	1,736.00
concrete strategies, llc	bedford	2	12/04/2015	80.00	L.F.	21.50	1,720.00
jones brothers, inc.	bedford	3	12/04/2015	80.00	L.F.	20.00	1,600.00
parchman construction compan	montgomery	1	02/12/2016	48.00	L.F.	15.52	744.96
k. w. lankford excavating	montgomery	2	02/12/2016	48.00	L.F.	15.00	720.00
jones brothers, inc.	montgomery	3	02/12/2016	48.00	L.F.	14.50	696.00
civil constructors, inc.	montgomery	4	02/12/2016	48.00	L.F.	14.50	696.00
eubank asphalt paving and sealing	montgomery	5	02/12/2016	48.00	L.F.	50.00	2,400.00
sessions paving company	montgomery	6	02/12/2016	48.00	L.F.	20.00	960.00
jones bros. contractors, llc	sumner	1	05/13/2016	60.00	L.F.	18.25	1,095.00
rogers group, inc.	sumner	2	05/13/2016	60.00	L.F.	18.91	1,134.60
lojac enterprises, inc.	sumner	3	05/13/2016	60.00	L.F.	23.00	1,380.00
civil constructors, inc.	sumner	4	05/13/2016	60.00	L.F.	19.18	1,150.80
jones brothers, inc.	maury	1	05/13/2016	144.00	L.F.	15.50	2,232.00
dement construction co. llc	maury	2	05/13/2016	144.00	L.F.	15.50	2,232.00
rogers group, inc.	maury	3	05/13/2016	144.00	L.F.	16.09	2,316.96
civil constructors, inc.	maury	4	05/13/2016	144.00	L.F.	16.25	2,340.00
lojac enterprises, inc.	maury	5	05/13/2016	144.00	L.F.	23.00	3,312.00
eutaw construction company	maury	6	05/13/2016	144.00	L.F.	15.50	2,232.00
lincoln paving company llc	lincoln	1	06/24/2016	72.00	L.F.	12.00	864.00
dement construction co. llc	lincoln	2	06/24/2016	72.00	L.F.	14.50	1,044.00
lojac enterprises, inc.	williamson	1	08/19/2016	40.00	L.F.	26.00	1,040.00
jones bros. contractors, llc	williamson	2	08/19/2016	40.00	L.F.	14.00	560.00
civil constructors, inc.	williamson	3	08/19/2016	40.00	L.F.	15.25	610.00
charles deweese construction, inc.	williamson	4	08/19/2016	40.00	L.F.	14.14	565.60
eutaw construction company	williamson	5	08/19/2016	40.00	L.F.	16.50	660.00
dement construction co. llc	williamson	6	08/19/2016	40.00	L.F.	25.00	1,000.00
sessions paving company	marshall	1	08/19/2016	60.00	L.F.	16.00	960.00
stansell elec. co., inc.	marshall	2	08/19/2016	60.00	L.F.	18.91	1,134.60
lojac enterprises, inc.	trousdale	1	08/19/2016	72.00	L.F.	26.00	1,872.00
jones brothers, inc.	trousdale	2	08/19/2016	72.00	L.F.	15.00	1,080.00
eatherly group, inc.	trousdale	3	08/19/2016	72.00	L.F.	14.00	1,008.00
twin k construction inc.	trousdale	4	08/19/2016	72.00	L.F.	14.00	1,008.00
palmtree construction comp	trousdale	5	08/19/2016	72.00	L.F.	15.00	1,080.00
jarrett builders, inc.	trousdale	6	08/19/2016	72.00	L.F.	17.00	1,224.00

Report Settings	
Selected Pay Item:	712-07.03 :temporary barricades (type iii)
Include Bidders:	All Bids
Sel County/Region:	DOT Region 3
Include Lettings:	Last 12 Months
Quantity Range:	From 10.00 to 300.00 L.F.
Omit High/Low Price:	NO
Averages Type:	Weighted Average



**Supplemental Agreement and/or Request for Construction Change
 Change Order Request # 7**

Project Title/Termini:	<u>Hillsboro Road Widening - Phase II</u>		
Owner:	<u>City of Franklin, Tennessee</u>	PIN:	<u>108409.00</u>
Address:	<u>109 3rd Avenue South</u>	State Project No.:	<u>94014-3230-04</u>
	<u>Franklin, TN 37064</u>	Federal Project No.:	<u>STP-EN-106(22)</u>
Date Prepared:	<u>7/25/2016</u>	Contract No.:	<u>2015-0002</u>
		County:	<u>Williamson</u>

Whereas, we Eutaw Construction Company, Inc. with Travelers Casualty and Surety Company of America, as a Surety, entered into a contract with City of Franklin, Tennessee, on March 8th, 2016, for the construction by said Contractor of the above designated contract; and Whereas, certain items of construction encountered, are not covered by the original contract, we desire to submit the following additional items of construction to be performed by the Contractor and paid by the Owner at the price(s) scheduled therefore below:

The purpose of this Change Order is to:

Add Item No. 104-03.99 Additional Work (4-Inch Core Drill Into Electric Manhole), Unit, to the contract documents. This new electrical item will be used to pay for drill holes installed into the new Middle Tenn Electric Membership Corp (MTEMC) manholes to account for field changes in the electrical conduit placement. This item is added under the electrical pay items similar the current pay item no. 793-14.10 listed under the AT&T utility items for core drilling into AT&T manholes.

As a result of this Change Order, contract time shall:

Not Change, Increase by _____ days, Decrease by _____ days

Original contraction Completion Time: 430 days (Date: 6/21/2017)

Approved Change Orders: 0

Current Change Order: 0

Contract Completion Time with Change Orders: 430 days (Date: 6/21/2017)

Unit prices listed below include labor, materials, profit, overhead, and incidentals necessary to complete this work. A separate attached spreadsheet with the same information may be used in lieu of the table below.

Item No.	Description	Unit	Current/ Pending Quantities	Revised Quantities	QTY Over + QTY Under -	Contract Price	Net Amount Due Change
104-03.99	Additional Work (4-Inch Core Drill Into Electric Manhole)	UNIT	0	6		\$220.00	\$1320.00

Bid Contract Amount: \$11,995,005.13

Current Change Order: \$1320.00

Approved Change Orders: \$24,566.50



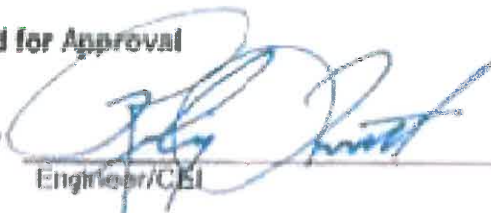
Pending Change Orders: \$5,150.00
Total Change Orders to Date: \$31,036.50

**Supplemental Agreement and/or Request for Construction Change
Change Order Request # 7**

Project Title/Term: <u>Hillsboro Road Widening - Phase II</u>		
Owner: <u>City of Franklin, Tennessee</u>	PIN: <u>108409.00</u>	
Address: <u>109 3rd Avenue South</u>	State Project No. <u>94014-3230-04</u>	
<u>Franklin, TN 37064</u>	Federal Project No. <u>STP-EN-106(22)</u>	
Date Prepared: <u>7/25/2016</u>	Contract No. <u>2015-0002</u>	
	County: <u>Williamson</u>	


Now, Therefore, We, Eutaw Construction Company, Inc. Contractors, and Travelers Casualty and Surety Company of America, Surety, hereby agree to the Supplemental Agreement consisting of the above mentioned items and prices, and agree that this Supplemental Agreement is hereby made a part of the original contract and will be performed by this Contractor in accordance with specifications thereof, and that the original contract remain in full force and effect, except insofar as specifically modified by this Supplemental Agreement.

Recommended for Approval

By:  _____ Date: 10/12/16

Engineer/CBI

Approved for Eligibility:

By:  _____ Date: _____

Local Programs Planner

Approved By:

By:  _____ Date: _____

Contractor

By:  _____ Date: 10-17-2016

Surety Amanda Jean Charfuros, Attorney-In-Fact

By:  _____ Date: 11/03/2016

Owner

Average Unit Prices - 01JAN2016 thru 30JUN2016 - Awarded Contracts

Item Number	Description	Unit of Measure	Region	Average Unit Price	Total Cost	Total Quantity
793-13.17	2 DUCT FORMATION @ 36IN DEPTH	L.F.	3 STATE	\$5.40	\$1,026.00	190.00
			STATE	\$9.78	\$3,960.75	405.00
			1	\$20.69	\$724.15	35.00
			2	\$20.82	\$1,353.30	65.00
793-13.22	3 DUCT FORMATION @ 36IN DEPTH	L.F.	STATE	\$20.77	\$2,077.45	100.00
793-13.27	4 DUCT FORMATION @ 36IN DEPTH	L.F.	STATE	\$27.72	\$13,028.40	470.00
793-13.28	4 DUCI FORMATION @ 48IN DEPTH	L.F.	STATE	\$36.12	\$17,698.80	490.00
793-13.51	DUCT FORMATION @ ___IN DEPTH	L.F.	STATE	\$37.03	\$105,535.50	2850.00
			STATE	\$64.79	\$28,183.65	435.00
793-14.02	CONCRETE ENCASEMENT PER DUCT	L.F.	STATE	\$7.88	\$45,940.40	5830.00
			1	\$11.50	\$1,725.00	150.00
			2	\$7.97	\$47,665.40	5980.00
793-14.03	MH PRECAST 6-FT W X 12-FT L X 7-FT H	EACH	STATE	\$18,934.65	\$37,869.30	2.00
793-14.05	MH PRECAST 4-FT W X 8-FT L X 6-FT H	EACH	STATE	\$18,934.65	\$37,869.30	2.00
793-14.06	CAST IN PLACE MANHOLE	C.F.	STATE	\$18,860.00	\$150,880.00	8.00
793-14.09	BRIDGE CONDUIT HANGER SYSTEM	LS	STATE	\$96.04	\$92,198.40	960.00
			2	\$5,750.00	\$5,750.00	1.00
793-14.10	4IN CORE DRILL INTO MANHOLE	EACH	STATE	\$5,750.00	\$5,750.00	1.00
793-14.11	1IN INNERDUCT	L.F.	STATE	\$219.45	\$1,755.60	8.00
			2	\$219.45	\$1,755.60	8.00
			STATE	\$2.01	\$5,728.50	2850.00
793-14.12	1 1/4IN INNERDUCT	L.F.	STATE	\$2.01	\$5,728.50	2850.00
793-14.19	4IN SCH 80 ORANGE FLEXPipe	L.F.	STATE	\$1.58	\$1,256.10	795.00
			3	\$3.80	\$418.00	110.00
793-14.21	ROD DUCTS	L.F.	STATE	\$3.80	\$418.00	110.00
793-15.01	TRANSFER CABLE ATTACHMENT	EACH	STATE	\$1.15	\$3,277.50	2850.00
793-15.04	TRANSFER DOWN GUY ATTACHMENT	EACH	STATE	\$1.15	\$3,277.50	2850.00
793-16.01	MH (RETIRE/REMOVE/GRAVEL BACKFILL)	EACH	STATE	\$120.20	\$1,202.00	10.00
793-16.04	DIRECTIONAL BORE 4IN/FLEX SLEEVE	L.F.	STATE	\$102.18	\$102.18	1.00
			1	\$102.18	\$102.18	1.00
793-16.14	BORE/JACK 12IN CASING - ROCK	L.F.	STATE	\$715.05	\$1,430.10	2.00
793-16.04	DIRECTIONAL BORE 4IN/FLEX SLEEVE	L.F.	STATE	\$715.05	\$1,430.10	2.00
793-16.14	BORE/JACK 12IN CASING - ROCK	L.F.	STATE	\$31.20	\$3,432.00	110.00
793-16.04	DIRECTIONAL BORE 4IN/FLEX SLEEVE	L.F.	STATE	\$31.20	\$3,432.00	110.00
793-16.14	BORE/JACK 12IN CASING - ROCK	L.F.	STATE	\$420.00	\$92,400.00	220.00
793-16.04	DIRECTIONAL BORE 4IN/FLEX SLEEVE	L.F.	STATE	\$420.00	\$92,400.00	220.00
793-97.01	RESTORE ASPHALT	S.Y.	STATE	\$78.75	\$8,662.50	110.00
793-98.01	REMOVE AERIAL CABLE AND WIRE	L.F.	STATE	\$78.75	\$8,662.50	110.00
793-98.04	REMOVE POLES ALL SIZES	EACH	STATE	\$1.26	\$1,890.00	1500.00
			1	\$1.26	\$1,890.00	1500.00
			STATE	\$86.92	\$2,433.85	28.00



**Supplemental Agreement and/or Request for Construction Change
 Change Order Request # 8**

Project Title/Termini:	Hillsboro Road Widening - Phase II		
Owner:	City of Franklin, Tennessee	PIN:	108409.00
Address:	109 3 rd Avenue South	State Project No.:	94014-3230-04
	Franklin, TN 37064	Federal Project No.:	STP-EN-106(22)
Date Prepared:	10/13/2016	Contract No.:	2015-0002
		County:	Williamson

Whereas, we Eutaw Construction Company, Inc. with Travelers Casualty and Surety Company of America, as a Surety, entered into a contract with City of Franklin, Tennessee, on March 8th, 2016, for the construction by said Contractor of the above designated contract; and *Whereas*, certain items of construction encountered, are not covered by the original contract, we desire to submit the following additional items of construction to be performed by the Contractor and paid by the Owner at the price(s) scheduled therefore below:

The purpose of this Change Order is to:

add pay item no. 730-12.15, CONDUIT 4" DIAMETER (JACK AND BORE), L.F. to the contract documents to provide a pay item for installing the required utility conduit road crossings by the underground, trenchless jack and bore method rather than open cutting the road. This alternate method will result in a net savings to the contract by eliminating excavation and paving items and will also reduce the contract time and increase traffic safety on the project, since open trenching will not be required.

As a result of this Change Order, contract time shall:

Not Change, Increase by _____ days, Decrease by _____ days

Original contraction Completion Time: 430 days (Date: 6/21/2017)

Approved Change Orders: 0

Current Change Order: 0

Contract Completion Time with Change Orders: 430 days (Date: 6/21/2017)

Unit prices listed below include labor, materials, profit, overhead, and incidentals necessary to complete this work. A separate attached spreadsheet with the same information may be used in lieu of the table below.

Item No.	Description	Unit	Current/ Pending Quantities	Revised Quantities	QTY Over + QTY Under -	Contract Price	Net Amount Due Change
730-12.15	CONDUIT 4" DIAMETER (JACK AND BORE)	LF	0.00	112.00	112.00	\$49.30	\$5,521.60
790-42.43	TRENCH TYPE C	LF	985.00	929.00	-56.00	\$41.00	\$-2,296.00
793-13.07	4IN SCHEDULE 40 PVC	LF	21,100.00	20,988.00	-112.00	\$3.80	\$-425.60
204-08.01	BACKFILL MATERIAL (FLOWABLE FILL, INCLUDES 100 C.Y	CY	1,125.00	1,103.22	-21.78	\$110.00	\$-2,395.80



771-30.28	TEMPORARY ASPHALT (COLD MIX, TO BE USED AS DIRECTE	SF	7,500.00	7,332.00	-168.00	\$3.00	\$-504.00
-----------	--	----	----------	----------	---------	--------	-----------

Bid Contract Amount: \$11,995,005.13
 Current Change Order: \$-99.80
 Approved Change Orders: \$24566.50
 Pending Change Orders: \$6470.00
 Total Change Orders to Date: \$30,936.70

**Supplemental Agreement and/or Request for Construction Change
 Change Order Request # 8**

Project Title/Termini: Hillsboro Road Widening - Phase II
 Owner: City of Franklin, Tennessee PIN: 108409.00
 Address: 109 3rd Avenue South State Project No.: 94014-3230-04
 Franklin, TN 37064 Federal Project No.: STP-EN-106(22)
 Date Prepared: 10/13/2016 Contract No.: 2015-0002
 County: Williamson

Now, Therefore, We, Eutaw Construction Company, Inc., Contractors, and Travelers Casualty and Surety Company of America, Surety, hereby agree to the Supplemental Agreement consisting of the above mentioned items and prices, and agree that this Supplemental Agreement is hereby made a part of the original contract and will be performed by this Contractor in accordance with specifications thereof, and that the original contract remain in full force and effect, except insofar as specifically modified by this Supplemental Agreement.

Recommended for Approval


By:  10/31/16
 Engineer/CEI Date

Approved for Eligibility:

APPROVED
 By Denise Baker at 8:20 am, Nov 03, 2016

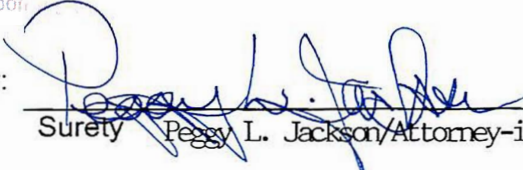
By: _____
 Local Programs Planner Date

Approved By:

By:  11/07/16
 Contractor Date



Local Government Guidelines Form 8-30
March 1, 2016

By:  11/7/2016
Surety Peggy L. Jackson Attorney-in-Fact Date

By: _____
Owner Date

TENNESSEE PAY ITEM REPORT

Gresham Smith & Partners

Date: 11/01/2016
 Time: 03:33:33

Pay Item: 730-12.15 CONDUIT 4" DIAMETER (JACK AND BORE)

TOTALS	High:	41.00	Wtd. Average:	20.90	Total Quan:	9,770.00	Count:	9
	Low:	20.00	Strt. Average:	22.67	Avg. Quan:	1,085.56	Median:	20.00
			Std Deviation:	6.89				

Contractor	County	Position	Bid Date	Quantity	Unit	Unit Price	Extension
rogers group, inc.	williamson	1	09/16/2011	1,190.00	L.F.	20.78	24,728.20
the parkes companies, inc	williamson	2	09/16/2011	1,190.00	L.F.	20.16	23,990.40
lojac enterprises, inc.	williamson	3	09/16/2011	1,190.00	L.F.	20.00	23,800.00
highways, inc.	williamson	4	09/16/2011	1,190.00	L.F.	20.00	23,800.00
mountain states contractors, llc	williamson	5	09/16/2011	1,190.00	L.F.	20.00	23,800.00
bell & associates construction, lp	williamson	6	09/16/2011	1,190.00	L.F.	21.05	25,049.50
dement construction co. llc	williamson	7	09/16/2011	1,190.00	L.F.	20.00	23,800.00
eubank asphalt paving and sealing	williamson	8	09/16/2011	1,190.00	L.F.	21.00	24,990.00
summers-taylor, inc.	sullivan	1	02/13/2015	250.00	L.F.	41.00	10,250.00

Report Settings	
Selected Pay Item:	730-12.15 :conduit 4" diameter (jack and bore)
Include Bidders:	All Bids
Sel County/Region:	All Regions / All Counties
Include Lettings:	All Lettings
Omit High/Low Price:	NO
Averages Type:	Weighted Average

*SMALL QNT.
2015*



POWER OF ATTORNEY

Farmington Casualty Company
Fidelity and Guaranty Insurance Company
Fidelity and Guaranty Insurance Underwriters, Inc.
St. Paul Fire and Marine Insurance Company
St. Paul Guardian Insurance Company

St. Paul Mercury Insurance Company
Travelers Casualty and Surety Company
Travelers Casualty and Surety Company of America
United States Fidelity and Guaranty Company

Attorney-In Fact No. 229499

Certificate No. 006203403

KNOW ALL MEN BY THESE PRESENTS: That Farmington Casualty Company, St. Paul Fire and Marine Insurance Company, St. Paul Guardian Insurance Company, St. Paul Mercury Insurance Company, Travelers Casualty and Surety Company, Travelers Casualty and Surety Company of America, and United States Fidelity and Guaranty Company are corporations duly organized under the laws of the State of Connecticut, that Fidelity and Guaranty Insurance Company is a corporation duly organized under the laws of the State of Iowa, and that Fidelity and Guaranty Insurance Underwriters, Inc., is a corporation duly organized under the laws of the State of Wisconsin (herein collectively called the "Companies"), and that the Companies do hereby make, constitute and appoint

S. Lyle Bates, Jr., Jerry Eugene Horner, Jr., Jim A. Armstrong, Jerry G. Veazey, Jr., Jason J. Young, Trina Cobb, Linda D. Whittington, Peggy L. Jackson, William E. Howard Jr., Brody Eric Buckley, Angela Bullie, Stephen Wesley Price, Jr., and Amanda Jean Charfauros

of the City of Jackson, State of Mississippi, their true and lawful Attorney(s)-in-Fact, each in their separate capacity if more than one is named above, to sign, execute, seal and acknowledge any and all bonds, recognizances, conditional undertakings and other writings obligatory in the nature thereof on behalf of the Companies in their business of guaranteeing the fidelity of persons, guaranteeing the performance of contracts and executing or guaranteeing bonds and undertakings required or permitted in any actions or proceedings allowed by law.

IN WITNESS WHEREOF, the Companies have caused this instrument to be signed and their corporate seals to be hereto affixed, this 5th day of June, 2015.

Farmington Casualty Company
Fidelity and Guaranty Insurance Company
Fidelity and Guaranty Insurance Underwriters, Inc.
St. Paul Fire and Marine Insurance Company
St. Paul Guardian Insurance Company

St. Paul Mercury Insurance Company
Travelers Casualty and Surety Company
Travelers Casualty and Surety Company of America
United States Fidelity and Guaranty Company



State of Connecticut
City of Hartford ss.

By: *Robert L. Raney*
Robert L. Raney, Senior Vice President

On this the 5th day of June, 2015, before me personally appeared Robert L. Raney, who acknowledged himself to be the Senior Vice President of Farmington Casualty Company, Fidelity and Guaranty Insurance Company, Fidelity and Guaranty Insurance Underwriters, Inc., St. Paul Fire and Marine Insurance Company, St. Paul Guardian Insurance Company, St. Paul Mercury Insurance Company, Travelers Casualty and Surety Company, Travelers Casualty and Surety Company of America, and United States Fidelity and Guaranty Company, and that he, as such, being authorized so to do, executed the foregoing instrument for the purposes therein contained by signing on behalf of the corporations by himself as a duly authorized officer.

In Witness Whereof, I hereunto set my hand and official seal.
My Commission expires the 30th day of June, 2016.



Marie C. Tetreault
Marie C. Tetreault, Notary Public

This Power of Attorney is granted under and by the authority of the following resolutions adopted by the Boards of Directors of Farmington Casualty Company, Fidelity and Guaranty Insurance Company, Fidelity and Guaranty Insurance Underwriters, Inc., St. Paul Fire and Marine Insurance Company, St. Paul Guardian Insurance Company, St. Paul Mercury Insurance Company, Travelers Casualty and Surety Company, Travelers Casualty and Surety Company of America, and United States Fidelity and Guaranty Company, which resolutions are now in full force and effect, reading as follows:

RESOLVED, that the Chairman, the President, any Vice Chairman, any Executive Vice President, any Senior Vice President, any Vice President, any Second Vice President, the Treasurer, any Assistant Treasurer, the Corporate Secretary or any Assistant Secretary may appoint Attorneys-in-Fact and Agents to act for and on behalf of the Company and may give such appointee such authority as his or her certificate of authority may prescribe to sign with the Company's name and seal with the Company's seal bonds, recognizances, contracts of indemnity, and other writings obligatory in the nature of a bond, recognizance, or conditional undertaking, and any of said officers or the Board of Directors at any time may remove any such appointee and revoke the power given him or her; and it is

FURTHER RESOLVED, that the Chairman, the President, any Vice Chairman, any Executive Vice President, any Senior Vice President or any Vice President may delegate all or any part of the foregoing authority to one or more officers or employees of this Company, provided that each such delegation is in writing and a copy thereof is filed in the office of the Secretary; and it is

FURTHER RESOLVED, that any bond, recognizance, contract of indemnity, or writing obligatory in the nature of a bond, recognizance, or conditional undertaking shall be valid and binding upon the Company when (a) signed by the President, any Vice Chairman, any Executive Vice President, any Senior Vice President or any Vice President, any Second Vice President, the Treasurer, any Assistant Treasurer, the Corporate Secretary or any Assistant Secretary and duly attested and sealed with the Company's seal by a Secretary or Assistant Secretary; or (b) duly executed (under seal, if required) by one or more Attorneys-in-Fact and Agents pursuant to the power prescribed in his or her certificate or their certificates of authority or by one or more Company officers pursuant to a written delegation of authority; and it is

FURTHER RESOLVED, that the signature of each of the following officers: President, any Executive Vice President, any Senior Vice President, any Vice President, any Assistant Vice President, any Secretary, any Assistant Secretary, and the seal of the Company may be affixed by facsimile to any Power of Attorney or to any certificate relating thereto appointing Resident Vice Presidents, Resident Assistant Secretaries or Attorneys-in-Fact for purposes only of executing and attesting bonds and undertakings and other writings obligatory in the nature thereof, and any such Power of Attorney or certificate bearing such facsimile signature or facsimile seal shall be valid and binding upon the Company and any such power so executed and certified by such facsimile signature and facsimile seal shall be valid and binding on the Company in the future with respect to any bond or understanding to which it is attached.

I, Kevin E. Hughes, the undersigned, Assistant Secretary, of Farmington Casualty Company, Fidelity and Guaranty Insurance Company, Fidelity and Guaranty Insurance Underwriters, Inc., St. Paul Fire and Marine Insurance Company, St. Paul Guardian Insurance Company, St. Paul Mercury Insurance Company, Travelers Casualty and Surety Company, Travelers Casualty and Surety Company of America, and United States Fidelity and Guaranty Company do hereby certify that the above and foregoing is a true and correct copy of the Power of Attorney executed by said Companies, which is in full force and effect and has not been revoked.

IN TESTIMONY WHEREOF, I have hereunto set my hand and affixed the seals of said Companies this NOV 07 2016 day of NOV 07 2016, 20 16.

Kevin E. Hughes
Kevin E. Hughes, Assistant Secretary



To verify the authenticity of this Power of Attorney, call 1-800-421-3880 or contact us at www.travelersbond.com. Please refer to the Attorney-In-Fact number, the above-named individuals and the details of the bond to which the power is attached.



**Supplemental Agreement and/or Request for Construction Change
 Change Order Request # 9**

Project Title/Termini:	<u>Hillsboro Road Widening - Phase II</u>	
Owner:	<u>City of Franklin, Tennessee</u>	PIN: <u>108409.00</u>
Address:	<u>109 3rd Avenue South</u>	State Project No.: <u>94014-3230-04</u>
	<u>Franklin, TN 37064</u>	Federal Project No.: <u>STP-EN-106(22)</u>
Date Prepared:	<u>10/27/2016</u>	Contract No.: <u>2015-0002</u>
		County: <u>Williamson</u>

Whereas, we Eutaw Construction Company, Inc. with Travelers Casualty and Surety Company of America, as a Surety, entered into a contract with City of Franklin, Tennessee, on March 8th, 2016, for the construction by said Contractor of the above designated contract; and Whereas, certain items of construction encountered, are not covered by the original contract, we desire to submit the following additional items of construction to be performed by the Contractor and paid by the Owner at the price(s) scheduled therefore below:

The purpose of this Change Order is to:

Add pay items to the contract documents to provide payment for removal of an existing concrete cast-in-place pipe headwall and construction of a new pipe endwall to be installed at the end of the proposed storm drain pipe extension near Mack Hatcher Parkway. These items of work were not included in the original contract. The new headwall is required to be cast-in-place, requiring adding items for headwall concrete, reinforcing steel and structural steel.

As a result of this Change Order, contract time shall:

Not Change, Increase by _____ days, Decrease by 0 days

Original contraction Completion Time: 430 days (Date: 6/21/2017)

Approved Change Orders: 0

Current Change Order: 0

Contract Completion Time with Change Orders: 430 days (Date: 6/21/2017)

Unit prices listed below include labor, materials, profit, overhead, and incidentals necessary to complete this work. A separate attached spreadsheet with the same information may be used in lieu of the table below.

Item No.	Description	Unit	Current/ Pending Quantities	Revised Quantities	QTY Over + QTY Under -	Contract Price	Net Amount Due Change
202-01.56	Removal of Structures and Obstructions (Existing 36" pipe headwall)	LS	0	1	1	\$3,815.00	\$3,815.00
611-07.01	Class A Concrete (Pipe Endwalls)	CY	0	3.03	3.03	\$825.00	\$2,499.75
611-07.02	Steel Bar Reinforcement (Pipe Endwalls)	LB	0	261	261	\$2.00	\$522.00



611-07.03	Structural Endwalls)	Steel	(Pipe	LB	0	148	148	\$4.75	\$703.00
-----------	----------------------	-------	-------	----	---	-----	-----	--------	----------

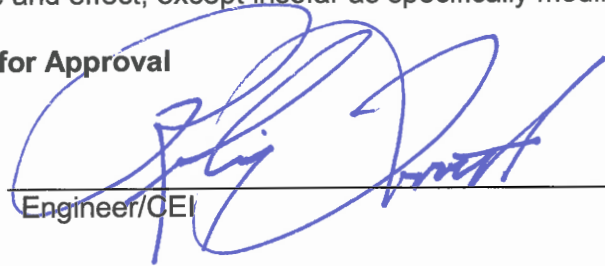
Bid Contract Amount: \$11,995,005.13
 Current Change Order: \$7,539.75
 Approved Change Orders: \$30,936.70
 Pending Change Orders: \$0
 Total Change Orders to Date: \$38,476.45

**Supplemental Agreement and/or Request for Construction Change
 Change Order Request # 9**

Project Title/Termini: Hillsboro Road Widening - Phase II
 Owner: City of Franklin, Tennessee PIN: 108409.00
 Address: 109 3rd Avenue South State Project No.: 94014-3230-04
 Franklin, TN 37064 Federal Project No.: STP-EN-106(22)
 Date Prepared: 10/27/2016 Contract No.: 2015-0002
 County: Williamson

Now, Therefore, We, Eutaw Construction Company, Inc., Contractors, and Travelers Casualty and Surety Company of America, Surety, hereby agree to the Supplemental Agreement consisting of the above mentioned items and prices, and agree that this Supplemental Agreement is hereby made a part of the original contract and will be performed by this Contractor in accordance with specifications thereof, and that the original contract remain in full force and effect, except insofar as specifically modified by this Supplemental Agreement.

Recommended for Approval

By:  Date: 11/7/16

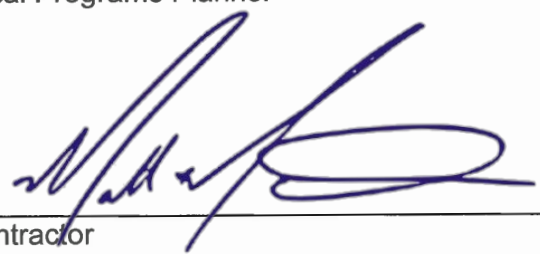
Approved for Eligibility:

APPROVED
 By Denise Baker at 2:50 pm, Nov 10, 2016

By: _____ Date

Local Programs Planner

Approved By:

By:  Date: 11/10/16

Contractor



Local Government Guidelines Form 8-30
March 1, 2016

By: Amanda Jean Charfauros
Surety Amanda Jean Charfauros, Attorney-In-Fact Date 11-10-2016

By: [Signature]
Owner Date 11/11/2016

TENNESSEE PAY ITEM REPORT

Gresham Smith & Partners

Date: 11/01/2016
 Time: 04:37:01

Pay Item: 611-07.01 CLASS A CONCRETE (PIPE ENDWALLS)

TOTALS	High:	2,632.00	Wtd. Average:	1,079.33	Total Quan:	152.20	Count:	35
	Low:	595.00	Strt. Average:	1,123.63	Avg. Quan:	4.35	Median:	1,000.00
			Std Deviation:	418.89				

Contractor	County	Position	Bid Date	Quantity	Unit	Unit Price	Extension
charles blalock & sons, inc	putnam	1	12/04/2015	6.00	C.Y.	735.00	4,410.00
rogers group, inc.	putnam	2	12/04/2015	6.00	C.Y.	748.12	4,488.72
jones brothers, inc.	putnam	3	12/04/2015	6.00	C.Y.	1,300.00	7,800.00
lojac enterprises, inc.	putnam	4	12/04/2015	6.00	C.Y.	1,000.00	6,000.00
eubank asphalt paving and sealing	hickman, humphreys	1	12/04/2015	8.00	C.Y.	900.00	7,200.00
parchman construction compan	hickman, humphreys	2	12/04/2015	8.00	C.Y.	1,080.00	8,640.00
rogers group, inc.	giles	1	12/04/2015	2.00	C.Y.	771.14	1,542.28
dement construction co. llc	giles	2	12/04/2015	2.00	C.Y.	1,500.00	3,000.00
jones brothers, inc.	giles	3	12/04/2015	2.00	C.Y.	1,160.00	2,320.00
bell & associates construction, lp	bedford	1	12/04/2015	8.00	C.Y.	1,327.92	10,623.36
concrete strategies, llc	bedford	2	12/04/2015	8.00	C.Y.	1,100.00	8,800.00
jones brothers, inc.	bedford	3	12/04/2015	8.00	C.Y.	1,400.00	11,200.00
jones brothers, inc.	roane	1	04/01/2016	2.00	C.Y.	1,600.00	3,200.00
twin k construction inc.	roane	2	04/01/2016	2.00	C.Y.	950.00	1,900.00
kay & kay contracting, llc	roane	3	04/01/2016	2.00	C.Y.	1,500.00	3,000.00
bell & associates construction, lp	roane	4	04/01/2016	2.00	C.Y.	1,506.76	3,013.52
rogers group, inc.	roane	5	04/01/2016	2.00	C.Y.	1,304.16	2,608.32
charles deweese construction, inc.	sumner	1	04/01/2016	5.30	C.Y.	700.00	3,710.00
lojac enterprises, inc.	sumner	2	04/01/2016	5.30	C.Y.	1,631.85	8,648.81
civil constructors, inc.	sumner	3	04/01/2016	5.30	C.Y.	1,100.00	5,830.00
sessions paving company	sumner	4	04/01/2016	5.30	C.Y.	750.00	3,975.00
dixieland contr inc	shelby	1	04/01/2016	3.00	C.Y.	650.00	1,950.00
ferrell paving, inc.	shelby	2	04/01/2016	3.00	C.Y.	1,800.00	5,400.00
ford construction company	lauderdale	1	05/13/2016	3.00	C.Y.	750.00	2,250.00
lojac enterprises, inc.	davidson	1	06/24/2016	6.00	C.Y.	1,200.00	7,200.00
civil constructors, inc.	davidson	2	06/24/2016	6.00	C.Y.	900.00	5,400.00
lojac enterprises, inc.	trousdale	1	08/19/2016	2.00	C.Y.	900.00	1,800.00
jones brothers, inc.	trousdale	2	08/19/2016	2.00	C.Y.	1,500.00	3,000.00
eatherly group, inc.	trousdale	3	08/19/2016	2.00	C.Y.	595.00	1,190.00
twin k construction inc.	trousdale	4	08/19/2016	2.00	C.Y.	975.00	1,950.00
palmtree construction comp	trousdale	5	08/19/2016	2.00	C.Y.	800.00	1,600.00
jarrett builders, inc.	trousdale	6	08/19/2016	2.00	C.Y.	2,632.00	5,264.00
eubank asphalt paving and sealing	dickson	1	08/26/2016	6.00	C.Y.	750.00	4,500.00
jones bros. contractors, llc	dickson	2	08/26/2016	6.00	C.Y.	750.00	4,500.00
sessions paving company	dickson	3	08/26/2016	6.00	C.Y.	1,060.00	6,360.00

Report Settings	
Selected Pay Item:	611-07.01 :class a concrete (pipe endwalls)
Include Bidders:	All Bids
Sel County/Region:	All Regions / All Counties
Include Lettings:	Last 12 Months
Quantity Range:	From 0.00 to 10.00 C.Y.
Omit High/Low Price:	NO
Averages Type:	Weighted Average

TENNESSEE PAY ITEM REPORT

Gresham Smith & Partners

Date: 11/01/2016
 Time: 04:37:45

Pay Item: 611-07.02 STEEL BAR REINFORCEMENT (PIPE ENDWALLS)

TOTALS	High:	9.80	Wtd. Average:	2.20	Total Quan:	4,601.00	Count:	30
	Low:	1.00	Strt. Average:	2.28	Avg. Quan:	153.37	Median:	2.00
			Std Deviation:	1.56				

Contractor	County	Position	Bid Date	Quantity	Unit	Unit Price	Extension
charles blalock & sons, inc	putnam	1	12/04/2015	192.00	LBS	2.10	403.20
rogers group, inc.	putnam	2	12/04/2015	192.00	LBS	2.14	410.88
jones brothers, inc.	putnam	3	12/04/2015	192.00	LBS	2.00	384.00
lojac enterprises, inc.	putnam	4	12/04/2015	192.00	LBS	1.75	336.00
greenstar, llc	mcminn	1	12/04/2015	200.00	LBS	2.00	400.00
talley constr co inc	mcminn	2	12/04/2015	200.00	LBS	1.59	318.00
wright brothers construction company, inc.	mcminn	3	12/04/2015	200.00	LBS	2.49	498.00
steve williams construction, llc	mcminn	4	12/04/2015	200.00	LBS	2.50	500.00
rogers group, inc.	giles	1	12/04/2015	112.00	LBS	1.65	184.80
dement construction co. llc	giles	2	12/04/2015	112.00	LBS	1.25	140.00
jones brothers, inc.	giles	3	12/04/2015	112.00	LBS	9.80	1,097.60
jones brothers, inc.	roane	1	04/01/2016	40.00	LBS	2.00	80.00
twin k construction inc.	roane	2	04/01/2016	40.00	LBS	4.00	160.00
kay & kay contracting, llc	roane	3	04/01/2016	40.00	LBS	1.00	40.00
bell & associates construction, lp	roane	4	04/01/2016	40.00	LBS	2.70	108.00
rogers group, inc.	roane	5	04/01/2016	40.00	LBS	1.61	64.40
dixieland contr inc	shelby	1	04/01/2016	80.00	LBS	1.25	100.00
ferrell paving, inc.	shelby	2	04/01/2016	80.00	LBS	3.00	240.00
talley constr co inc	polk	1	04/01/2016	283.00	LBS	1.73	489.59
wright brothers construction company, inc.	polk	2	04/01/2016	283.00	LBS	2.00	566.00
simpson constr. co., inc	polk	3	04/01/2016	283.00	LBS	2.00	566.00
ford construction company	lauderdale	1	05/13/2016	108.00	LBS	1.50	162.00
lojac enterprises, inc.	davidson	1	06/24/2016	198.00	LBS	3.00	594.00
civil constructors, inc.	davidson	2	06/24/2016	198.00	LBS	3.00	594.00
lojac enterprises, inc.	trousdale	1	08/19/2016	164.00	LBS	2.00	328.00
jones brothers, inc.	trousdale	2	08/19/2016	164.00	LBS	1.50	246.00
eatherly group, inc.	trousdale	3	08/19/2016	164.00	LBS	1.00	164.00
twin k construction inc.	trousdale	4	08/19/2016	164.00	LBS	2.00	328.00
palmertree construction comp	trousdale	5	08/19/2016	164.00	LBS	1.55	254.20
jarrett builders, inc.	trousdale	6	08/19/2016	164.00	LBS	2.35	385.40

Report Settings	
Selected Pay Item:	611-07.02 :steel bar reinforcement (pipe endwalls)
Include Bidders:	All Bids
Sel County/Region:	All Regions / All Counties
Include Lettings:	Last 12 Months
Quantity Range:	From 0.00 to 300.00 LBS
Omit High/Low Price:	NO
Averages Type:	Weighted Average

TENNESSEE PAY ITEM REPORT

Gresham Smith & Partners

Date: 11/01/2016
 Time: 04:38:30

Pay Item: 611-07.03 STRUCTURAL STEEL (PIPE ENDWALLS)

TOTALS	High:	5.50	Wtd. Average:	4.15	Total Quan:	1,614.00	Count:	6
	Low:	2.60	Strt. Average:	4.15	Avg. Quan:	269.00	Median:	4.20
			Std Deviation:	1.25				

<i>Contractor</i>	<i>County</i>	<i>Position</i>	<i>Bid Date</i>	<i>Quantity</i>	<i>Unit</i>	<i>Unit Price</i>	<i>Extension</i>
parchman construction compan	montgomery	1	02/12/2016	269.00	LBS	3.35	901.15
k. w. lankford excavating	montgomery	2	02/12/2016	269.00	LBS	2.60	699.40
jones brothers, inc.	montgomery	3	02/12/2016	269.00	LBS	3.15	847.35
civil constructors, inc.	montgomery	4	02/12/2016	269.00	LBS	5.04	1,355.76
eubank asphalt paving and sealing	montgomery	5	02/12/2016	269.00	LBS	5.25	1,412.25
sessions paving company	montgomery	6	02/12/2016	269.00	LBS	5.50	1,479.50

<u>Report Settings</u>		
Selected Pay Item:	611-07.03	:structural steel (pipe endwalls)
Include Bidders:	All Bids	
Sel County/Region:	All Regions / All Counties	
Include Lettings:	Last 12 Months	
Quantity Range:	From 0.00 to 300.00 LBS	
Omit High/Low Price:	NO	
Averages Type:	Weighted Average	



POWER OF ATTORNEY

Farmington Casualty Company
Fidelity and Guaranty Insurance Company
Fidelity and Guaranty Insurance Underwriters, Inc.
St. Paul Fire and Marine Insurance Company
St. Paul Guardian Insurance Company

St. Paul Mercury Insurance Company
Travelers Casualty and Surety Company
Travelers Casualty and Surety Company of America
United States Fidelity and Guaranty Company

Attorney-In Fact No. 229499

Certificate No. 006203470

KNOW ALL MEN BY THESE PRESENTS: That Farmington Casualty Company, St. Paul Fire and Marine Insurance Company, St. Paul Guardian Insurance Company, St. Paul Mercury Insurance Company, Travelers Casualty and Surety Company, Travelers Casualty and Surety Company of America, and United States Fidelity and Guaranty Company are corporations duly organized under the laws of the State of Connecticut, that Fidelity and Guaranty Insurance Company is a corporation duly organized under the laws of the State of Iowa, and that Fidelity and Guaranty Insurance Underwriters, Inc., is a corporation duly organized under the laws of the State of Wisconsin (herein collectively called the "Companies"), and that the Companies do hereby make, constitute and appoint

S. Lyle Bates, Jr., Jerry Eugene Horner, Jr., Jim A. Armstrong, Jerry G. Veazey, Jr., Jason J. Young, Trina Cobb, Linda D. Whittington, Peggy L. Jackson, William E. Howard Jr., Brody Eric Buckley, Angela Bullie, Stephen Wesley Price, Jr., and Amanda Jean Charfauros

of the City of Jackson, State of Mississippi, their true and lawful Attorney(s)-in-Fact, each in their separate capacity if more than one is named above, to sign, execute, seal and acknowledge any and all bonds, recognizances, conditional undertakings and other writings obligatory in the nature thereof on behalf of the Companies in their business of guaranteeing the fidelity of persons, guaranteeing the performance of contracts and executing or guaranteeing bonds and undertakings required or permitted in any actions or proceedings allowed by law.

IN WITNESS WHEREOF, the Companies have caused this instrument to be signed and their corporate seals to be hereto affixed, this 5th day of June, 2015.

Farmington Casualty Company
Fidelity and Guaranty Insurance Company
Fidelity and Guaranty Insurance Underwriters, Inc.
St. Paul Fire and Marine Insurance Company
St. Paul Guardian Insurance Company

St. Paul Mercury Insurance Company
Travelers Casualty and Surety Company
Travelers Casualty and Surety Company of America
United States Fidelity and Guaranty Company



State of Connecticut
City of Hartford ss.

By:
Robert L. Raney, Senior Vice President

On this the 5th day of June, 2015, before me personally appeared Robert L. Raney, who acknowledged himself to be the Senior Vice President of Farmington Casualty Company, Fidelity and Guaranty Insurance Company, Fidelity and Guaranty Insurance Underwriters, Inc., St. Paul Fire and Marine Insurance Company, St. Paul Guardian Insurance Company, St. Paul Mercury Insurance Company, Travelers Casualty and Surety Company, Travelers Casualty and Surety Company of America, and United States Fidelity and Guaranty Company, and that he, as such, being authorized so to do, executed the foregoing instrument for the purposes therein contained by signing on behalf of the corporations by himself as a duly authorized officer.

In Witness Whereof, I hereunto set my hand and official seal. My Commission expires the 30th day of June, 2016.



Marie C. Tetreault, Notary Public

WARNING: THIS POWER OF ATTORNEY IS INVALID WITHOUT THE RED BORDER

This Power of Attorney is granted under and by the authority of the following resolutions adopted by the Boards of Directors of Farmington Casualty Company, Fidelity and Guaranty Insurance Company, Fidelity and Guaranty Insurance Underwriters, Inc., St. Paul Fire and Marine Insurance Company, St. Paul Guardian Insurance Company, St. Paul Mercury Insurance Company, Travelers Casualty and Surety Company, Travelers Casualty and Surety Company of America, and United States Fidelity and Guaranty Company, which resolutions are now in full force and effect, reading as follows:

RESOLVED, that the Chairman, the President, any Vice Chairman, any Executive Vice President, any Senior Vice President, any Vice President, any Second Vice President, the Treasurer, any Assistant Treasurer, the Corporate Secretary or any Assistant Secretary may appoint Attorneys-in-Fact and Agents to act for and on behalf of the Company and may give such appointee such authority as his or her certificate of authority may prescribe to sign with the Company's name and seal with the Company's seal bonds, recognizances, contracts of indemnity, and other writings obligatory in the nature of a bond, recognizance, or conditional undertaking, and any of said officers or the Board of Directors at any time may remove any such appointee and revoke the power given him or her; and it is

FURTHER RESOLVED, that the Chairman, the President, any Vice Chairman, any Executive Vice President, any Senior Vice President or any Vice President may delegate all or any part of the foregoing authority to one or more officers or employees of this Company, provided that each such delegation is in writing and a copy thereof is filed in the office of the Secretary; and it is

FURTHER RESOLVED, that any bond, recognizance, contract of indemnity, or writing obligatory in the nature of a bond, recognizance, or conditional undertaking shall be valid and binding upon the Company when (a) signed by the President, any Vice Chairman, any Executive Vice President, any Senior Vice President or any Vice President, any Second Vice President, the Treasurer, any Assistant Treasurer, the Corporate Secretary or any Assistant Secretary and duly attested and sealed with the Company's seal by a Secretary or Assistant Secretary; or (b) duly executed (under seal, if required) by one or more Attorneys-in-Fact and Agents pursuant to the power prescribed in his or her certificate or their certificates of authority or by one or more Company officers pursuant to a written delegation of authority; and it is

FURTHER RESOLVED, that the signature of each of the following officers: President, any Executive Vice President, any Senior Vice President, any Vice President, any Assistant Vice President, any Secretary, any Assistant Secretary, and the seal of the Company may be affixed by facsimile to any Power of Attorney or to any certificate relating thereto appointing Resident Vice Presidents, Resident Assistant Secretaries or Attorneys-in-Fact for purposes only of executing and attesting bonds and undertakings and other writings obligatory in the nature thereof, and any such Power of Attorney or certificate bearing such facsimile signature or facsimile seal shall be valid and binding upon the Company and any such power so executed and certified by such facsimile signature and facsimile seal shall be valid and binding on the Company in the future with respect to any bond or understanding to which it is attached.

I, Kevin E. Hughes, the undersigned, Assistant Secretary, of Farmington Casualty Company, Fidelity and Guaranty Insurance Company, Fidelity and Guaranty Insurance Underwriters, Inc., St. Paul Fire and Marine Insurance Company, St. Paul Guardian Insurance Company, St. Paul Mercury Insurance Company, Travelers Casualty and Surety Company, Travelers Casualty and Surety Company of America, and United States Fidelity and Guaranty Company do hereby certify that the above and foregoing is a true and correct copy of the Power of Attorney executed by said Companies, which is in full force and effect and has not been revoked.

IN TESTIMONY WHEREOF, I have hereunto set my hand and affixed the seals of said Companies this 10th day of November, 20 16.


Kevin E. Hughes, Assistant Secretary



To verify the authenticity of this Power of Attorney, call 1-800-421-3880 or contact us at www.travelersbond.com. Please refer to the Attorney-In-Fact number, the above-named individuals and the details of the bond to which the power is attached.

WARNING: THIS POWER OF ATTORNEY IS INVALID WITHOUT THE RED BORDER



Local Government Guidelines Form 8-30
 March 1, 2016

**Supplemental Agreement and/or Request for Construction Change
 Change Order Request # 10**

Project Title/Termini: Hillsboro Road Widening - Phase II
 Owner: City of Franklin, Tennessee PIN: 108409.00
 Address: 109 3rd Avenue South State Project No.: 94014-3230-04
Franklin, TN 37064 Federal Project No.: STP-EN-106(22)
 Date Prepared: 01/30/17 Contract No.: 2015-0002
 County: Williamson

Whereas, we Eutaw Construction Company, Inc. with Travelers Casualty and Surety Company of America, as a Surety, entered into a contract with City of Franklin, Tennessee, on March 8th, 2016, for the construction by said Contractor of the above designated contract; and *Whereas*, certain items of construction encountered, are not covered by the original contract, we desire to submit the following additional items of construction to be performed by the Contractor and paid by the Owner at the price(s) scheduled therefore below:

The purpose of this Change Order is to:

add pay item nos. 714-03, 730-12.14, 793-16.04, 730-12.13, 730-12.14, 798-04.02, and 798-04.03 to the contract documents to provide payment for underground utility conduits to be installed by JACK AND BORE or DIRECTIONAL BORE methods in lieu of the plans specified open cutting the roadway method. This alternate method will result minimal cost increase to the contract by eliminating excavation and paving items and will also reduce the contract time and increase traffic safety on the project, since open trenching will not be required.

As a result of this Change Order, contract time shall:

Not Change, Increase by ____ days, Decrease by days

Original contraction Completion Time: 430 days (Date: 6/21/2017)

Approved Change Orders: 0

Current Change Order: 5-0 

Contract Completion Time with Change Orders: 430 days (Date: 6/21/2017)

Unit prices listed below include labor, materials, profit, overhead, and incidentals necessary to complete this work. A separate attached spreadsheet with the same information may be used in lieu of the table below.

Item No.	Description	Unit	Current/ Pending Quantities (Participating)	Current/ Pending Quantities (Non- Participating)	Revised Quantities (Participating)	Revised Quantities (Non- Participating)	QTY Over + QTY Under -	Contract Price	Net Amount Due Change (Participating)	Net Amount Due Change (Non- Participating)
714-03	Jacked or Bored Conduit (2-inch)	LF	0		820		+820	\$36.00	\$29,520.00	
730-12.14	Conduit 3-inch (Jack and Bore)	LF	0		930		+930	\$45.00	\$41,850.00	
793-16.04	Directional Bore 4IN/Flex Sleeve	LF	0		220		+220	\$49.30	\$10,846.00	
730-12.13	Conduit 2-Inch (Jack and Bore)	LF		0		100	+100	\$36.00		\$3600.00



Local Government Guidelines Form 8-30
 March 1, 2016

730-12.14	Conduit 3-inch (Jack and Bore)	LF		0		240	+240	\$45.00		\$10,800.00
798-04.02	Directional Bore 2IN/Flex Sleeve	LF	0			580	+580	\$36.00		\$20,880.00
798-04.03	Directional Bore 3IN/Flex Sleeve	LF	0			580	+580	\$45.00		\$26,100.00
204-08.01	Backfill Mat'l (Flowable Fill)	CY	634.22		396.44		-237.78	\$110.00	\$-26,155.80	
204-08.01	Backfill Mat'l (Flowable Fill)	CY		469		291.22	-177.78	\$110.00		\$-19,555.80
714-03.01	Direct Burial Conduit (2"PVC, SCHD 40)	LF	5208		4388		-820	\$3.80	\$-3116.00	
714-03.15	Trench Backfill and In Street	LF	431		0		-431	\$41.00	\$-17,671.00	
714-03.17	Trench Backfill and In Asphalt and Lawn	LF	268		0		-268	\$45.00	\$-12,060.00	
730-12.03	Conduit Dia (PVC) 3"	LF	1920		990		-930	\$11.25	\$-10,462.50	
790-42.08	Direct Burial Conduit 2"PVC, Schedule 40)	LF		25,088		24,408	-680	\$2.60		\$-1,768.00
790-42.09	Direct Burial Conduit 3"PVC, Schedule 40)	LF		21,717		20,897	-820	\$3.40		\$-2,788.00
793-13.07	4" SCHD 40 PVC	LF		20,988		20,768	-220	\$3.80		\$-836.00
771-30.28	Temporary Asphalt (Cold Mix)	SF	4,629		2,829		-1,800	\$3.00	\$-5,400.00	
771-30.28	Temporary Asphalt (Cold Mix)	SF		2703		643	-2,060	\$3.00		\$-6,180.00
790-42.43	Trench Type C	LF		929		129	-800	\$41.00		\$-32,800.00

Bid Contract Amount: \$11,995,005.13
 Current Change Order: \$4,802.90
 Approved Change Orders: \$38,476.45
 Pending Change Orders: \$0
 Total Change Orders to Date: \$43,279.35




Local Government Guidelines Form 8-30
March 1, 2016

**Supplemental Agreement and/or Request for Construction Change
Change Order Request # 10**

Project Title/Termini:	Hillsboro Road Widening - Phase II	
Owner:	City of Franklin, Tennessee	PIN: 108409.00
Address:	109 3 rd Avenue South	State Project No.: 94014-3230-04
	Franklin, TN 37064	Federal Project No.: STP-EN-106(22)
Date Prepared:	01/30/2017	Contract No.: 2015-0002
		County: Williamson

Now, Therefore, We, Eutaw Construction Company, Inc., Contractors, and Travelers Casualty and Surety Company of America, Surety, hereby agree to the Supplemental Agreement consisting of the above mentioned items and prices, and agree that this Supplemental Agreement is hereby made a part of the original contract and will be performed by this Contractor in accordance with specifications thereof, and that the original contract remain in full force and effect, except insofar as specifically modified by this Supplemental Agreement.

Recommended for Approval

By:  _____ Date: 1/30/17

Engineer/OEI

Approved for Eligibility:

By: **APPROVED**
By Denise Baker at 3:28 pm, Feb 17, 2017
_____ Date

Local Programs Planner

Approved By:

By:  _____ Date: 2/21/2017

Contractor

By:  _____ Date: 2/21/2017

Surety Amanda Jean Charfauros, Attorney-In-Fact

By:  _____ Date: 02/23/2017

Owner

WARNING: THIS POWER OF ATTORNEY IS INVALID WITHOUT THE RED BORDER



POWER OF ATTORNEY

Farmington Casualty Company
Fidelity and Guaranty Insurance Company
Fidelity and Guaranty Insurance Underwriters, Inc.
St. Paul Fire and Marine Insurance Company
St. Paul Guardian Insurance Company

St. Paul Mercury Insurance Company
Travelers Casualty and Surety Company
Travelers Casualty and Surety Company of America
United States Fidelity and Guaranty Company

Attorney-In Fact No. 231371

Certificate No. 006983975

KNOW ALL MEN BY THESE PRESENTS: That Farmington Casualty Company, St. Paul Fire and Marine Insurance Company, St. Paul Guardian Insurance Company, St. Paul Mercury Insurance Company, Travelers Casualty and Surety Company, Travelers Casualty and Surety Company of America, and United States Fidelity and Guaranty Company are corporations duly organized under the laws of the State of Connecticut, that Fidelity and Guaranty Insurance Company is a corporation duly organized under the laws of the State of Iowa, and that Fidelity and Guaranty Insurance Underwriters, Inc., is a corporation duly organized under the laws of the State of Wisconsin (herein collectively called the "Companies"), and that the Companies do hereby make, constitute and appoint

Jerry Eugene Horner, Jr., Jim A. Armstrong, Jerry G. Veazey, Jr., Jason J. Young, Trina Cobb, Peggy L. Jackson, William E. Howard Jr., Brody Eric Buckley, Angela Bullie, Stephen Wesley Price, Jr., and Amanda Jean Charfauros

of the City of Jackson State of Mississippi, their true and lawful Attorney(s)-in-Fact, each in their separate capacity if more than one is named above, to sign, execute, seal and acknowledge any and all bonds, recognizances, conditional undertakings and other writings obligatory in the nature thereof on behalf of the Companies in their business of guaranteeing the fidelity of persons, guaranteeing the performance of contracts and executing or guaranteeing bonds and undertakings required or permitted in any actions or proceedings allowed by law.

IN WITNESS WHEREOF, the Companies have caused this instrument to be signed and their corporate seals to be hereto affixed, this 21st day of September, 2016.

Farmington Casualty Company
Fidelity and Guaranty Insurance Company
Fidelity and Guaranty Insurance Underwriters, Inc.
St. Paul Fire and Marine Insurance Company
St. Paul Guardian Insurance Company

St. Paul Mercury Insurance Company
Travelers Casualty and Surety Company
Travelers Casualty and Surety Company of America
United States Fidelity and Guaranty Company



State of Connecticut
City of Hartford ss.

By: Robert L. Raney
Robert L. Raney, Senior Vice President

On this the 21st day of September, 2016, before me personally appeared Robert L. Raney, who acknowledged himself to be the Senior Vice President of Farmington Casualty Company, Fidelity and Guaranty Insurance Company, Fidelity and Guaranty Insurance Underwriters, Inc., St. Paul Fire and Marine Insurance Company, St. Paul Guardian Insurance Company, St. Paul Mercury Insurance Company, Travelers Casualty and Surety Company, Travelers Casualty and Surety Company of America, and United States Fidelity and Guaranty Company, and that he, as such, being authorized so to do, executed the foregoing instrument for the purposes therein contained by signing on behalf of the corporations by himself as a duly authorized officer.

In Witness Whereof, I hereunto set my hand and official seal.
My Commission expires the 30th day of June, 2021.



Marie C. Tetreault
Marie C. Tetreault, Notary Public

WARNING: THIS POWER OF ATTORNEY IS INVALID WITHOUT THE RED BORDER

This Power of Attorney is granted under and by the authority of the following resolutions adopted by the Boards of Directors of Farmington Casualty Company, Fidelity and Guaranty Insurance Company, Fidelity and Guaranty Insurance Underwriters, Inc., St. Paul Fire and Marine Insurance Company, St. Paul Guardian Insurance Company, St. Paul Mercury Insurance Company, Travelers Casualty and Surety Company, Travelers Casualty and Surety Company of America, and United States Fidelity and Guaranty Company, which resolutions are now in full force and effect, reading as follows:

RESOLVED, that the Chairman, the President, any Vice Chairman, any Executive Vice President, any Senior Vice President, any Vice President, any Second Vice President, the Treasurer, any Assistant Treasurer, the Corporate Secretary or any Assistant Secretary may appoint Attorneys-in-Fact and Agents to act for and on behalf of the Company and may give such appointee such authority as his or her certificate of authority may prescribe to sign with the Company's name and seal with the Company's seal bonds, recognizances, contracts of indemnity, and other writings obligatory in the nature of a bond, recognizance, or conditional undertaking, and any of said officers or the Board of Directors at any time may remove any such appointee and revoke the power given him or her; and it is

FURTHER RESOLVED, that the Chairman, the President, any Vice Chairman, any Executive Vice President, any Senior Vice President or any Vice President may delegate all or any part of the foregoing authority to one or more officers or employees of this Company, provided that each such delegation is in writing and a copy thereof is filed in the office of the Secretary; and it is

FURTHER RESOLVED, that any bond, recognizance, contract of indemnity, or writing obligatory in the nature of a bond, recognizance, or conditional undertaking shall be valid and binding upon the Company when (a) signed by the President, any Vice Chairman, any Executive Vice President, any Senior Vice President or any Vice President, any Second Vice President, the Treasurer, any Assistant Treasurer, the Corporate Secretary or any Assistant Secretary and duly attested and sealed with the Company's seal by a Secretary or Assistant Secretary; or (b) duly executed (under seal, if required) by one or more Attorneys-in-Fact and Agents pursuant to the power prescribed in his or her certificate or their certificates of authority or by one or more Company officers pursuant to a written delegation of authority; and it is

FURTHER RESOLVED, that the signature of each of the following officers: President, any Executive Vice President, any Senior Vice President, any Vice President, any Assistant Vice President, any Secretary, any Assistant Secretary, and the seal of the Company may be affixed by facsimile to any Power of Attorney or to any certificate relating thereto appointing Resident Vice Presidents, Resident Assistant Secretaries or Attorneys-in-Fact for purposes only of executing and attesting bonds and undertakings and other writings obligatory in the nature thereof, and any such Power of Attorney or certificate bearing such facsimile signature or facsimile seal shall be valid and binding upon the Company and any such power so executed and certified by such facsimile signature and facsimile seal shall be valid and binding on the Company in the future with respect to any bond or understanding to which it is attached.

I, Kevin E. Hughes, the undersigned, Assistant Secretary, of Farmington Casualty Company, Fidelity and Guaranty Insurance Company, Fidelity and Guaranty Insurance Underwriters, Inc., St. Paul Fire and Marine Insurance Company, St. Paul Guardian Insurance Company, St. Paul Mercury Insurance Company, Travelers Casualty and Surety Company, Travelers Casualty and Surety Company of America, and United States Fidelity and Guaranty Company do hereby certify that the above and foregoing is a true and correct copy of the Power of Attorney executed by said Companies, which is in full force and effect and has not been revoked.

IN TESTIMONY WHEREOF, I have hereunto set my hand and affixed the seals of said Companies this 21st day of February, 2017.


Kevin E. Hughes, Assistant Secretary



To verify the authenticity of this Power of Attorney, call 1-800-421-3880 or contact us at www.travelersbond.com. Please refer to the Attorney-In-Fact number, the above-named individuals and the details of the bond to which the power is attached.

WARNING: THIS POWER OF ATTORNEY IS INVALID WITHOUT THE RED BORDER

**TENNESSEE
 PAY ITEM REPORT**

Gresham Smith & Partners

Date: 02/03/2017
 Time: 11:28:55

Pay Item: 714-03 JACKED OR BORED CONDUIT

TOTALS	High:	35.00	Wtd. Average:	22.61	Total Quan:	5,343.00	Count:	13
	Low:	14.00	Strt. Average:	22.73	Avg. Quan:	411.00	Median:	20.00
			Std Deviation:	6.11				

Contractor	County	Position	Bid Date	Quantity	Unit	Unit Price	Extension
civil constructors, inc.	bedford	1	02/14/2014	250.00	L.F.	20.00	5,000.00
highways, inc.	bedford	2	02/14/2014	250.00	L.F.	15.00	3,750.00
davis h. elliot construction company, inc.	davidson	1	04/04/2014	625.00	L.F.	14.00	8,750.00
stansell elec. co., inc.	davidson	2	04/04/2014	625.00	L.F.	30.00	18,750.00
s & w contr. co., inc.	davidson	3	04/04/2014	625.00	L.F.	30.00	18,750.00
stansell elec. co., inc.	wilson	1	02/13/2015	545.00	L.F.	21.00	11,445.00
s & w contr. co., inc.	wilson	2	02/13/2015	545.00	L.F.	20.00	10,900.00
davis h. elliot construction company, inc.	wilson	3	02/13/2015	545.00	L.F.	20.00	10,900.00
kiewit infrastructure south	davidson	1	03/13/2015	120.00	L.F.	35.00	4,200.00
rogers group, inc.	giles	1	12/04/2015	391.00	L.F.	26.44	10,338.04
dement construction co. llc	giles	2	12/04/2015	391.00	L.F.	24.00	9,384.00
jones brothers, inc.	giles	3	12/04/2015	391.00	L.F.	20.10	7,859.10
jones bros. contractors, llc	humphreys	1	12/02/2016	40.00	L.F.	20.00	800.00

Report Settings	
Selected Pay Item:	714-03 : Jacked or bored conduit
Include Bidders:	All Bids
Sel County/Region:	DOT Region 3
Include Lettings:	Last 36 Months
Omit High/Low Price:	NO
Averages Type:	Weighted Average

**TENNESSEE
 PAY ITEM REPORT**

Gresham Smith & Partners

Date: 02/03/2017
 Time: 11:29:39

Pay Item: 730-12.14 CONDUIT 3" DIAMETER (JACK AND BORE)

TOTALS	High:	37.00	Wtd. Average:	23.44	Total Quan:	2,464.00	Count:	14
	Low:	18.00	Strt. Average:	28.65	Avg. Quan:	176.00	Median:	24.50
			Std Deviation:	7.07				

Contractor	County	Position	Bid Date	Quantity	Unit	Unit Price	Extension
mountain states contractors, llc	williamson	1	05/23/2014	112.00	L.F.	18.00	2,016.00
civil constructors, inc.	williamson	2	05/23/2014	112.00	L.F.	19.75	2,212.00
lojac enterprises, inc.	williamson	3	05/23/2014	112.00	L.F.	19.80	2,217.60
stansell elec. co., inc.	lincoln	1	07/11/2014	175.00	L.F.	25.00	4,375.00
s & w contr. co., inc.	lincoln	2	07/11/2014	175.00	L.F.	30.00	5,250.00
jones brothers, inc.	rutherford	1	03/27/2015	434.00	L.F.	20.00	8,680.00
interstate concrete constr. co.	rutherford	2	03/27/2015	434.00	L.F.	20.00	8,680.00
lojac enterprises, inc.	rutherford	3	03/27/2015	434.00	L.F.	22.00	9,548.00
civil constructors, inc.	robertson	1	08/28/2015	26.00	L.F.	37.00	962.00
lojac enterprises, inc.	robertson	2	08/28/2015	26.00	L.F.	33.80	878.80
jones brothers, inc.	robertson	3	08/28/2015	26.00	L.F.	33.80	878.80
eubank asphalt paving and sealing	robertson	4	08/28/2015	26.00	L.F.	33.80	878.80
sessions paving company	marshall	1	08/19/2016	186.00	L.F.	24.00	4,464.00
stansell elec. co., inc.	marshall	2	08/19/2016	186.00	L.F.	36.10	6,714.60

Report Settings	
Selected Pay Item:	730-12.14 :conduit 3" diameter (jack and bore)
Include Bidders:	All Bids
Set County/Region:	DOT Region 3
Include Lettings:	Last 36 Months
Omit High/Low Price:	NO
Averages Type:	Weighted Average

**TENNESSEE
 PAY ITEM REPORT**

Gresham Smith & Partners

Date: 02/03/2017
 Time: 11:30:16

Pay Item: 793-16.04 DIRECTIONAL BORE 4IN/FLEX SLEEVE

TOTALS	High:	38.60	Wtd. Average:	34.40	Total Quan:	1,180.00	Count:	8
	Low:	31.20	Strt. Average:	33.89	Avg. Quan:	147.50	Median:	33.69
			Std Deviation:	2.81				

<i>Contractor</i>	<i>County</i>	<i>Position</i>	<i>Bid Date</i>	<i>Quantity</i>	<i>Unit</i>	<i>Unit Price</i>	<i>Extension</i>
civil constructors, inc.	robertson	1	08/28/2015	185.00	L.F.	38.60	7,141.00
lojac enterprises, inc.	robertson	2	08/28/2015	185.00	L.F.	35.00	6,475.00
jones brothers, inc.	robertson	3	08/28/2015	185.00	L.F.	35.00	6,475.00
eubank asphalt paving and sealing	robertson	4	08/28/2015	185.00	L.F.	35.00	6,475.00
jones bros. contractors, llc	sumner	1	05/13/2016	110.00	L.F.	31.20	3,432.00
rogers group, inc.	sumner	2	05/13/2016	110.00	L.F.	32.32	3,555.20
lojac enterprises, inc.	sumner	3	05/13/2016	110.00	L.F.	31.20	3,432.00
civil constructors, inc.	sumner	4	05/13/2016	110.00	L.F.	32.78	3,605.80

Report Settings	
Selected Pay Item:	793-16.04 :directional bore 4in/flex sleeve
Include Bidders:	All Bids
Sel County/Region:	DOT Region 3
Include Lettings:	Last 36 Months
Omit High/Low Price:	NO
Averages Type:	Weighted Average

**TENNESSEE
 PAY ITEM REPORT**

Gresham Smith & Partners

Date: 02/03/2017
 Time: 11:34:01

Pay Item: 730-12.13 CONDUIT 2" DIAMETER (JACK AND BORE)

TOTALS	High:	40.00	Wtd. Average:	23.02	Total Quan:	19,423.00	Count:	52
	Low:	15.00	Stri. Average:	23.99	Avg. Quan:	373.52	Median:	23.90
			Std Deviation:	4.58				

Contractor	County	Position	Bid Date	Quantity	Unit	Unit Price	Extension
civil constructors, inc.	bedford	1	02/14/2014	873.00	L.F.	20.00	17,460.00
highways, inc.	bedford	2	02/14/2014	873.00	L.F.	15.00	13,095.00
mountain states contractors, llc	williamson	1	05/23/2014	231.00	L.F.	18.00	4,158.00
civil constructors, inc.	williamson	2	05/23/2014	231.00	L.F.	19.75	4,582.25
lojac enterprises, inc.	williamson	3	05/23/2014	231.00	L.F.	19.80	4,573.80
lojac enterprises, inc.	davidson	1	07/11/2014	535.00	L.F.	22.00	11,770.00
sessions paving company	davidson	2	07/11/2014	535.00	L.F.	20.00	10,700.00
civil constructors, inc.	davidson	3	07/11/2014	535.00	L.F.	21.50	11,502.50
mountain states contractors, llc	davidson	4	07/11/2014	535.00	L.F.	20.00	10,700.00
sessions paving company	sumner	1	08/29/2014	440.00	L.F.	18.00	7,920.00
highways, inc.	sumner	2	08/29/2014	440.00	L.F.	18.00	7,920.00
civil constructors, inc.	sumner	3	08/29/2014	440.00	L.F.	18.00	7,920.00
eatherly group, inc.	sumner	4	08/29/2014	440.00	L.F.	22.00	9,680.00
civil constructors, inc.	sumner	1	10/17/2014	1,115.00	L.F.	24.00	26,760.00
sessions paving company	sumner	2	10/17/2014	1,115.00	L.F.	24.00	26,760.00
bell & associates construction, lp	montgomery	1	10/17/2014	392.00	L.F.	25.46	9,980.32
mountain states contractors, llc	montgomery	2	10/17/2014	392.00	L.F.	24.00	9,408.00
eubank asphalt paving and sealing	montgomery	3	10/17/2014	392.00	L.F.	26.78	10,497.76
brown builders inc	montgomery	4	10/17/2014	392.00	L.F.	30.90	12,112.80
rogers group, inc.	montgomery	5	10/17/2014	392.00	L.F.	26.01	10,195.92
dement construction co. llc	montgomery	6	10/17/2014	392.00	L.F.	24.00	9,408.00
highways, inc.	montgomery	7	10/17/2014	392.00	L.F.	25.20	9,878.40
civil constructors, inc.	montgomery	8	10/17/2014	392.00	L.F.	27.50	10,780.00
eutaw construction company	montgomery	9	10/17/2014	392.00	L.F.	24.00	9,408.00
s & w contr. co., inc.	wilson	1	03/27/2015	185.00	L.F.	20.00	3,700.00
stansell elec. co., inc.	wilson	2	03/27/2015	185.00	L.F.	40.00	7,400.00
davis h. elliot construction company, inc.	wilson	3	03/27/2015	185.00	L.F.	20.00	3,700.00
stansell elec. co., inc.	williamson	1	05/15/2015	620.00	L.F.	23.00	14,260.00
jones brothers, inc.	williamson	2	05/15/2015	620.00	L.F.	24.00	14,880.00
sessions paving company	wilson	1	08/28/2015	407.00	L.F.	21.00	8,547.00
eatherly group, inc.	wilson	2	08/28/2015	407.00	L.F.	24.00	9,768.00
civil constructors, inc.	robertson	1	08/28/2015	200.00	L.F.	32.00	6,400.00
lojac enterprises, inc.	robertson	2	08/28/2015	200.00	L.F.	29.80	5,960.00
jones brothers, inc.	robertson	3	08/28/2015	200.00	L.F.	29.80	5,960.00
eubank asphalt paving and sealing	robertson	4	08/28/2015	200.00	L.F.	29.80	5,960.00
brown builders inc	sumner	1	10/16/2015	298.00	L.F.	23.50	7,003.00
rogers group, inc.	sumner	2	10/16/2015	298.00	L.F.	27.19	8,102.62
rogers group, inc.	giles	1	12/04/2015	391.00	L.F.	26.44	10,338.04
dement construction co. llc	giles	2	12/04/2015	391.00	L.F.	24.00	9,384.00
jones brothers, inc.	giles	3	12/04/2015	391.00	L.F.	20.10	7,859.10
jones bros. contractors, llc	montgomery	1	12/02/2016	350.00	L.F.	22.00	7,700.00
eubank asphalt paving and sealing	montgomery	2	12/02/2016	350.00	L.F.	23.00	8,050.00
morgan inc	montgomery	3	12/02/2016	350.00	L.F.	22.00	7,700.00
eutaw construction company	montgomery	4	12/02/2016	350.00	L.F.	25.50	8,925.00
civil constructors, inc.	montgomery	5	12/02/2016	350.00	L.F.	23.80	8,330.00
lojac enterprises, inc.	robertson	1	12/02/2016	38.00	L.F.	30.50	1,159.00
charles deweese construction, inc.	robertson	2	12/02/2016	38.00	L.F.	29.00	1,102.00
civil constructors, inc.	robertson	3	12/02/2016	38.00	L.F.	33.18	1,260.84
sessions paving company	robertson	4	12/02/2016	38.00	L.F.	22.00	836.00
perchman construction compan	montgomery	1	12/02/2016	82.00	L.F.	24.20	1,984.40
sessions paving company	montgomery	2	12/02/2016	82.00	L.F.	22.00	1,804.00
civil constructors, inc.	montgomery	3	12/02/2016	82.00	L.F.	22.00	1,804.00

**TENNESSEE
 PAY ITEM REPORT**

Gresham Smith & Partners

Date: 02/03/2017
 Time: 11:34:37

Pay Item: 730-12.14 CONDUIT 3" DIAMETER (JACK AND BORE)

TOTALS	High:	37.00	Wtd. Average:	23.44	Total Quan:	2,464.00	Count:	14
	Low:	18.00	Strt. Average:	26.65	Avg. Quan:	176.00	Median:	24.50
			Std Deviation:	7.07				

<i>Contractor</i>	<i>County</i>	<i>Position</i>	<i>Bid Date</i>	<i>Quantity</i>	<i>Unit</i>	<i>Unit Price</i>	<i>Extension</i>
mountain states contractors, llc	willamson	1	05/23/2014	112.00	L.F.	18.00	2,016.00
civil constructors, inc.	willamson	2	05/23/2014	112.00	L.F.	19.75	2,212.00
lojac enterprises, inc.	willamson	3	05/23/2014	112.00	L.F.	19.80	2,217.60
stansell elec. co., inc.	lincoln	1	07/11/2014	175.00	L.F.	25.00	4,375.00
s & w contr. co., inc.	lincoln	2	07/11/2014	175.00	L.F.	30.00	5,250.00
jones brothers, inc.	rutherford	1	03/27/2015	434.00	L.F.	20.00	8,680.00
interstate concrete constr. co.	rutherford	2	03/27/2015	434.00	L.F.	20.00	8,680.00
lojac enterprises, inc.	rutherford	3	03/27/2015	434.00	L.F.	22.00	9,548.00
civil constructors, inc.	robertson	1	08/28/2015	28.00	L.F.	37.00	962.00
lojac enterprises, inc.	robertson	2	08/28/2015	28.00	L.F.	33.60	876.80
jones brothers, inc.	robertson	3	08/28/2015	28.00	L.F.	33.80	878.80
eubank asphalt paving and sealing	robertson	4	08/28/2015	28.00	L.F.	33.80	878.80
sessions paving company	marshall	1	08/19/2016	186.00	L.F.	24.00	4,464.00
stansell elec. co., inc.	marshall	2	08/19/2016	186.00	L.F.	36.10	6,714.60

Report Settings	
Selected Pay Item:	730-12.14 :conduit 3" diameter (jack and bore)
Include Bidders:	All Bids
Sel County/Region:	DOT Region 3
Include Lettings:	Last 36 Months
Omit High/Low Price:	NO
Averages Type:	Weighted Average



**Supplemental Agreement and/or Request for Construction Change
 Change Order Request # 11**

Project Title/Termini:	Hillsboro Road Widening - Phase II	
Owner:	City of Franklin, Tennessee	PIN: 108409.00
Address:	109 3 rd Avenue South	State Project No.: 94014-3230-04
	Franklin, TN 37064	Federal Project No.: STP-EN-106(22)
Date Prepared:	10/27/2016	Contract No.: 2015-0002
		County: Williamson

Whereas, we Eutaw Construction Company, Inc. with Travelers Casualty and Surety Company of America, as a Surety, entered into a contract with City of Franklin, Tennessee, on March 8th, 2016, for the construction by said Contractor of the above designated contract; and *Whereas*, certain items of construction encountered, are not covered by the original contract, we desire to submit the following additional items of construction to be performed by the Contractor and paid by the Owner at the price(s) scheduled therefore below:

The purpose of this Change Order is to:

Add pay items to the contract documents to provide payment for additional erosion control measures needed in the field to prevent sediment from entering a box culvert under construction. The new box culvert extends and eventually attached to an existing culvert that now flows directly to the project stormwater outfall. These items of work were not included in the original contract, and are needed to prevent sediment from entering the outfall.

As a result of this Change Order, contract time shall:

Not Change, Increase by ____ days, Decrease by 0 days

Original contraction Completion Time: 430 days (Date: 6/21/2017)

Approved Change Orders: 0

Current Change Order: 0

Contract Completion Time with Change Orders: 430 days (Date: 6/21/2017)

Unit prices listed below include labor, materials, profit, overhead, and incidentals necessary to complete this work. A separate attached spreadsheet with the same information may be used in lieu of the table below.

Item No.	Description	Unit	Current/ Pending Quantities	Revised Quantities	QTY Over + QTY Under -	Contract Price	Net Amount Due Change
209-01.31	Temporary Mulch Filter Berm	CY	0	300	300	\$5.00	\$1,500.00
209-08.07	Rock Check Dam	EA	0	12	12	\$375.00	\$4,500.00
209-08.08	Enhanced Rock Check Dam	EA	0	8	8	\$525.00	\$4,200.00
209-09.01	Sandbags	EA	0	250	250	\$4.40	\$1,100.00

Bid Contract Amount: \$11,995,005.13



Current Change Order: \$11,300.00
Approved Change Orders: \$43,279.35
Pending Change Orders: \$0
Total Change Orders to Date: \$54,579.35

**Supplemental Agreement and/or Request for Construction Change
Change Order Request # 11**

Project Title/Termini: Hillsboro Road Widening - Phase II
Owner: City of Franklin, Tennessee PIN: 108409.00
Address: 109 3rd Avenue South State Project No.: 94014-3230-04
Franklin, TN 37064 Federal Project No.: STP-EN-106(22)
Date Prepared: 10/27/2016 Contract No.: 2015-0002
County: Williamson

Now, Therefore, We, Eutaw Construction Company, Inc., Contractors, and Travelers Casualty and Surety Company of America, Surety, hereby agree to the Supplemental Agreement consisting of the above mentioned items and prices, and agree that this Supplemental Agreement is hereby made a part of the original contract and will be performed by this Contractor in accordance with specifications thereof, and that the original contract remain in full force and effect, ~~except~~ insofar as specifically modified by this Supplemental Agreement.


Recommended for Approval

By:  2/20/17
Engineer/CEI Date

Approved for Eligibility:

By: **APPROVED**
By Denise Baker at 3:09 pm, Feb 23, 2017
Local Programs Planner Date

Approved By:

By:  2/25/2017
Contractor Date

By:  2/27/2017
Surety Amanda Jean Charfauros, Attorney-In-Fact Date

By: _____



[Handwritten Signature]

Local Government Guidelines Form 8-30
March 1, 2016

02/23/2017

Owner

Date



POWER OF ATTORNEY

Farmington Casualty Company
Fidelity and Guaranty Insurance Company
Fidelity and Guaranty Insurance Underwriters, Inc.
St. Paul Fire and Marine Insurance Company
St. Paul Guardian Insurance Company

St. Paul Mercury Insurance Company
Travelers Casualty and Surety Company
Travelers Casualty and Surety Company of America
United States Fidelity and Guaranty Company

Attorney-In Fact No. 231371

Certificate No. 006983979

KNOW ALL MEN BY THESE PRESENTS: That Farmington Casualty Company, St. Paul Fire and Marine Insurance Company, St. Paul Guardian Insurance Company, St. Paul Mercury Insurance Company, Travelers Casualty and Surety Company, Travelers Casualty and Surety Company of America, and United States Fidelity and Guaranty Company are corporations duly organized under the laws of the State of Connecticut, that Fidelity and Guaranty Insurance Company is a corporation duly organized under the laws of the State of Iowa, and that Fidelity and Guaranty Insurance Underwriters, Inc., is a corporation duly organized under the laws of the State of Wisconsin (herein collectively called the "Companies"), and that the Companies do hereby make, constitute and appoint

Jerry Eugene Horner, Jr., Jim A. Armstrong, Jerry G. Veazey, Jr., Jason J. Young, Trina Cobb, Peggy L. Jackson, William E. Howard Jr., Brody Eric Buckley, Angela Bullie, Stephen Wesley Price, Jr., and Amanda Jean Charfauros

of the City of Jackson, State of Mississippi, their true and lawful Attorney(s)-in-Fact, each in their separate capacity if more than one is named above, to sign, execute, seal and acknowledge any and all bonds, recognizances, conditional undertakings and other writings obligatory in the nature thereof on behalf of the Companies in their business of guaranteeing the fidelity of persons, guaranteeing the performance of contracts and executing or guaranteeing bonds and undertakings required or permitted in any actions or proceedings allowed by law.

IN WITNESS WHEREOF, the Companies have caused this instrument to be signed and their corporate seals to be hereto affixed, this 21st day of September, 2016.

Farmington Casualty Company
Fidelity and Guaranty Insurance Company
Fidelity and Guaranty Insurance Underwriters, Inc.
St. Paul Fire and Marine Insurance Company
St. Paul Guardian Insurance Company

St. Paul Mercury Insurance Company
Travelers Casualty and Surety Company
Travelers Casualty and Surety Company of America
United States Fidelity and Guaranty Company



State of Connecticut
City of Hartford ss.

By: Robert L. Raney
Robert L. Raney, Senior Vice President

On this the 21st day of September, 2016, before me personally appeared Robert L. Raney, who acknowledged himself to be the Senior Vice President of Farmington Casualty Company, Fidelity and Guaranty Insurance Company, Fidelity and Guaranty Insurance Underwriters, Inc., St. Paul Fire and Marine Insurance Company, St. Paul Guardian Insurance Company, St. Paul Mercury Insurance Company, Travelers Casualty and Surety Company, Travelers Casualty and Surety Company of America, and United States Fidelity and Guaranty Company, and that he, as such, being authorized so to do, executed the foregoing instrument for the purposes therein contained by signing on behalf of the corporations by himself as a duly authorized officer.

In Witness Whereof, I hereunto set my hand and official seal.
My Commission expires the 30th day of June, 2021.



Marie C. Tetreault
Marie C. Tetreault, Notary Public

WARNING: THIS POWER OF ATTORNEY IS INVALID WITHOUT THE RED BORDER

This Power of Attorney is granted under and by the authority of the following resolutions adopted by the Boards of Directors of Farmington Casualty Company, Fidelity and Guaranty Insurance Company, Fidelity and Guaranty Insurance Underwriters, Inc., St. Paul Fire and Marine Insurance Company, St. Paul Guardian Insurance Company, St. Paul Mercury Insurance Company, Travelers Casualty and Surety Company, Travelers Casualty and Surety Company of America, and United States Fidelity and Guaranty Company, which resolutions are now in full force and effect, reading as follows:

RESOLVED, that the Chairman, the President, any Vice Chairman, any Executive Vice President, any Senior Vice President, any Vice President, any Second Vice President, the Treasurer, any Assistant Treasurer, the Corporate Secretary or any Assistant Secretary may appoint Attorneys-in-Fact and Agents to act for and on behalf of the Company and may give such appointee such authority as his or her certificate of authority may prescribe to sign with the Company's name and seal with the Company's seal bonds, recognizances, contracts of indemnity, and other writings obligatory in the nature of a bond, recognizance, or conditional undertaking, and any of said officers or the Board of Directors at any time may remove any such appointee and revoke the power given him or her; and it is

FURTHER RESOLVED, that the Chairman, the President, any Vice Chairman, any Executive Vice President, any Senior Vice President or any Vice President may delegate all or any part of the foregoing authority to one or more officers or employees of this Company, provided that each such delegation is in writing and a copy thereof is filed in the office of the Secretary; and it is

FURTHER RESOLVED, that any bond, recognizance, contract of indemnity, or writing obligatory in the nature of a bond, recognizance, or conditional undertaking shall be valid and binding upon the Company when (a) signed by the President, any Vice Chairman, any Executive Vice President, any Senior Vice President or any Vice President, any Second Vice President, the Treasurer, any Assistant Treasurer, the Corporate Secretary or any Assistant Secretary and duly attested and sealed with the Company's seal by a Secretary or Assistant Secretary; or (b) duly executed (under seal, if required) by one or more Attorneys-in-Fact and Agents pursuant to the power prescribed in his or her certificate or their certificates of authority or by one or more Company officers pursuant to a written delegation of authority; and it is

FURTHER RESOLVED, that the signature of each of the following officers: President, any Executive Vice President, any Senior Vice President, any Vice President, any Assistant Vice President, any Secretary, any Assistant Secretary, and the seal of the Company may be affixed by facsimile to any Power of Attorney or to any certificate relating thereto appointing Resident Vice Presidents, Resident Assistant Secretaries or Attorneys-in-Fact for purposes only of executing and attesting bonds and undertakings and other writings obligatory in the nature thereof, and any such Power of Attorney or certificate bearing such facsimile signature or facsimile seal shall be valid and binding upon the Company and any such power so executed and certified by such facsimile signature and facsimile seal shall be valid and binding on the Company in the future with respect to any bond or understanding to which it is attached.

I, Kevin E. Hughes, the undersigned, Assistant Secretary, of Farmington Casualty Company, Fidelity and Guaranty Insurance Company, Fidelity and Guaranty Insurance Underwriters, Inc., St. Paul Fire and Marine Insurance Company, St. Paul Guardian Insurance Company, St. Paul Mercury Insurance Company, Travelers Casualty and Surety Company, Travelers Casualty and Surety Company of America, and United States Fidelity and Guaranty Company do hereby certify that the above and foregoing is a true and correct copy of the Power of Attorney executed by said Companies, which is in full force and effect and has not been revoked.

IN TESTIMONY WHEREOF, I have hereunto set my hand and affixed the seals of said Companies this 27th day of February, 20 17.


Kevin E. Hughes, Assistant Secretary



To verify the authenticity of this Power of Attorney, call 1-800-421-3880 or contact us at www.travelersbond.com. Please refer to the Attorney-In-Fact number, the above-named individuals and the details of the bond to which the power is attached.

WARNING: THIS POWER OF ATTORNEY IS INVALID WITHOUT THE RED BORDER

**TENNESSEE
 PAY ITEM REPORT**

Date: 02/21/2017
 Time: 10:03:09

Gresham Smith & Partners

Pay Item: 209-01.31 TEMPORARY MULCH FILTER BERM

TOTALS	High:	50.00	Wtd. Average:	27.02	Total Quan:	3,500.00	Count:	7
	Low:	17.30	Strt. Average:	27.02	Avg. Quan:	500.00	Median:	20.00
			Std Deviation:	11.46				

<i>Contractor</i>	<i>County</i>	<i>Position</i>	<i>Bid Date</i>	<i>Quantity</i>	<i>Unit</i>	<i>Unit Price</i>	<i>Extension</i>
twin k construction inc.	macon	1	05/23/2014	500.00	C.Y.	30.00	15,000.00
charles blalock & sons, inc	macon	2	05/23/2014	500.00	C.Y.	24.33	12,165.00
highways, inc.	macon	3	05/23/2014	500.00	C.Y.	30.00	15,000.00
jones brothers, inc.	macon	4	05/23/2014	500.00	C.Y.	50.00	25,000.00
rogers group, inc.	macon	5	05/23/2014	500.00	C.Y.	17.50	8,750.00
civil constructors, inc.	macon	6	05/23/2014	500.00	C.Y.	17.30	8,650.00
lojac enterprises, inc.	macon	7	05/23/2014	500.00	C.Y.	20.00	10,000.00

Report Settings

Selected Pay Item: 209-01.31 :temporary mulch filter berm
 Include Bidders: All Bids
 Sel County/Region: DOT Region 3
 Include Lettings: Last 36 Months
 Quantity Range: From 0.00 to 1,000.00 C.Y.
 Omit High/Low Price: NO
 Averages Type: Weighted Average

**TENNESSEE
 PAY ITEM REPORT**

Date: 02/03/2017
 Time: 11:55:35

Gresham Smith & Partners

Pay Item: 209-08.07 ROCK CHECK DAM PER

TOTALS	High:	1,000.00	Wtd. Average:	359.14	Total Quan:	321.00	Count:	46
	Low:	150.00	Str. Average:	396.21	Avg. Quan:	6.98	Median:	348.25
			Std Deviation:	195.08				

<i>Contractor</i>	<i>County</i>	<i>Position</i>	<i>Bid Date</i>	<i>Quantity</i>	<i>Unit</i>	<i>Unit Price</i>	<i>Extension</i>
sessions paving company	cheatham	1	02/13/2015	11.00	EACH	250.00	2,750.00
highways, inc.	cheatham	2	02/13/2015	11.00	EACH	150.00	1,650.00
civil constructors, inc.	cheatham	3	02/13/2015	11.00	EACH	230.00	2,530.00
lojac enterprises, inc.	cheatham	4	02/13/2015	11.00	EACH	150.00	1,650.00
jones brothers, inc.	rutherford	1	03/27/2015	6.00	EACH	200.00	1,200.00
interstate concrete constr. co.	rutherford	2	03/27/2015	6.00	EACH	250.00	1,500.00
lojac enterprises, inc.	rutherford	3	03/27/2015	6.00	EACH	275.00	1,650.00
sessions paving company	wilson	1	08/28/2015	2.00	EACH	300.00	600.00
eatherly group, inc.	wilson	2	08/28/2015	2.00	EACH	650.00	1,300.00
brown builders inc	sumner	1	10/16/2015	12.00	EACH	255.00	3,060.00
rogers group, inc.	sumner	2	10/16/2015	12.00	EACH	275.00	3,300.00
hoover inc	rutherford	1	12/04/2015	2.00	EACH	650.00	1,300.00
sessions paving company	rutherford	2	12/04/2015	2.00	EACH	350.00	700.00
jones brothers, inc.	rutherford	3	12/04/2015	2.00	EACH	400.00	800.00
eubank asphalt paving and sealing	hickman, humphreys	1	12/04/2015	7.00	EACH	850.00	5,950.00
parchman construction compan	hickman, humphreys	2	12/04/2015	7.00	EACH	500.00	3,500.00
parchman construction compan	montgomery	1	02/12/2016	1.00	EACH	600.00	600.00
k. w. lankford excavating	montgomery	2	02/12/2016	1.00	EACH	360.00	360.00
jones brothers, inc.	montgomery	3	02/12/2016	1.00	EACH	350.00	350.00
civil constructors, inc.	montgomery	4	02/12/2016	1.00	EACH	350.00	350.00
eubank asphalt paving and sealing	montgomery	5	02/12/2016	1.00	EACH	1,000.00	1,000.00
sessions paving company	montgomery	6	02/12/2016	1.00	EACH	500.00	500.00
charles deweese construction, inc.	sumner	1	04/01/2016	12.00	EACH	175.00	2,100.00
lojac enterprises, inc.	sumner	2	04/01/2016	12.00	EACH	220.00	2,640.00
civil constructors, inc.	sumner	3	04/01/2016	12.00	EACH	275.00	3,300.00
sessions paving company	sumner	4	04/01/2016	12.00	EACH	400.00	4,800.00
adams contracting, llc	macon	1	06/24/2016	4.00	EACH	250.00	1,000.00
twin k construction inc.	macon	2	06/24/2016	4.00	EACH	300.00	1,200.00
eatherly group, inc.	macon	3	06/24/2016	4.00	EACH	350.00	1,400.00
lojac enterprises, inc.	davidsen	1	06/24/2016	14.00	EACH	262.50	3,675.00
civil constructors, inc.	davidsen	2	06/24/2016	14.00	EACH	600.00	8,400.00
sessions paving company	rutherford	1	10/07/2016	4.00	EACH	300.00	1,200.00
civil constructors, inc.	rutherford	2	10/07/2016	4.00	EACH	350.00	1,400.00
hoover inc	rutherford	3	10/07/2016	4.00	EACH	650.00	2,600.00
jones bros. contractors, llc	montgomery	1	10/07/2016	6.00	EACH	300.00	1,800.00
civil constructors, inc.	montgomery	2	10/07/2016	6.00	EACH	346.50	2,079.00
sessions paving company	montgomery	3	10/07/2016	6.00	EACH	500.00	3,000.00
civil constructors, inc.	smith	1	12/02/2016	13.00	EACH	425.00	5,525.00
charles blalock & sons, inc	smith	2	12/02/2016	13.00	EACH	508.05	6,604.65
charles deweese construction, inc.	smith	3	12/02/2016	13.00	EACH	225.00	2,925.00
jones brothers, inc.	smith	4	12/02/2016	13.00	EACH	300.00	3,900.00
wright brothers construction company, inc.	smith	5	12/02/2016	13.00	EACH	870.00	11,310.00
lojac enterprises, inc.	smith	6	12/02/2016	13.00	EACH	265.50	3,451.50
parchman construction compan	montgomery	1	12/02/2016	3.00	EACH	638.00	1,914.00
sessions paving company	montgomery	2	12/02/2016	3.00	EACH	500.00	1,500.00
civil constructors, inc.	montgomery	3	12/02/2016	3.00	EACH	320.00	960.00

Report Settings

Selected Pay Item: 209-08.07 :rock check dam per
 Include Bidders: All Bids
 Sel County/Region: DOT Region 3
 Include Lettings: Last 24 Months
 Quantity Range: From 0.00 to 20.00 EACH
 Omit High/Low Price: NO
 Averages Type: Weighted Average

**TENNESSEE
 PAY ITEM REPORT**

Date: 02/03/2017
 Time: 11:56:45

Gresham Smith & Partners

Pay Item: 209-08.08 ENHANCED ROCK CHECK DAM

TOTALS	High:	2,300.00	Wtd. Average:	507.89	Total Quan:	271.00	Count:	55
	Low:	298.91	Strt. Average:	541.08	Avg. Quan:	4.93	Median:	440.00
			Std Deviation:	320.31				

<i>Contractor</i>	<i>County</i>	<i>Position</i>	<i>Bid Date</i>	<i>Quantity</i>	<i>Unit</i>	<i>Unit Price</i>	<i>Extension</i>
sessions paving company	cheatham	1	02/13/2015	2.00	EACH	350.00	700.00
highways, inc.	cheatham	2	02/13/2015	2.00	EACH	400.00	800.00
civil constructors, inc.	cheatham	3	02/13/2015	2.00	EACH	460.00	920.00
lojac enterprises, inc.	cheatham	4	02/13/2015	2.00	EACH	390.00	780.00
kiewit infrastructure south	davidson	1	03/13/2015	3.00	EACH	988.00	2,964.00
civil constructors, inc.	robertson	1	08/28/2015	18.00	EACH	330.00	5,940.00
lojac enterprises, inc.	robertson	2	08/28/2015	18.00	EACH	325.00	5,850.00
jones brothers, inc.	robertson	3	08/28/2015	18.00	EACH	298.91	5,380.38
eubank asphalt paving and sealing	robertson	4	08/28/2015	18.00	EACH	700.00	12,600.00
brown builders inc	sumner	1	10/16/2015	4.00	EACH	355.00	1,420.00
rogers group, inc.	sumner	2	10/16/2015	4.00	EACH	350.00	1,400.00
eubank asphalt paving and sealing	hickman, humphreys	1	12/04/2015	3.00	EACH	1,250.00	3,750.00
parchman construction compan	hickman, humphreys	2	12/04/2015	3.00	EACH	900.00	2,700.00
parchman construction compan	montgomery	1	02/12/2016	3.00	EACH	900.00	2,700.00
k. w. lankford excavating	montgomery	2	02/12/2016	3.00	EACH	464.00	1,392.00
jones brothers, inc.	montgomery	3	02/12/2016	3.00	EACH	450.00	1,350.00
civil constructors, inc.	montgomery	4	02/12/2016	3.00	EACH	450.00	1,350.00
eubank asphalt paving and sealing	montgomery	5	02/12/2016	3.00	EACH	500.00	1,500.00
sessions paving company	montgomery	6	02/12/2016	3.00	EACH	600.00	1,800.00
jones bros. contractors, llc	sumner	1	05/13/2016	10.00	EACH	300.00	3,000.00
rogers group, inc.	sumner	2	05/13/2016	10.00	EACH	388.48	3,884.80
lojac enterprises, inc.	sumner	3	05/13/2016	10.00	EACH	325.00	3,250.00
civil constructors, inc.	sumner	4	05/13/2016	10.00	EACH	315.18	3,151.80
adams contracting, llc	macon	1	06/24/2016	2.00	EACH	400.00	800.00
twin k construction inc.	macon	2	06/24/2016	2.00	EACH	450.00	900.00
eatherly group, inc.	macon	3	06/24/2016	2.00	EACH	450.00	900.00
lojac enterprises, inc.	davidson	1	06/24/2016	3.00	EACH	393.75	1,181.25
civil constructors, inc.	davidson	2	06/24/2016	3.00	EACH	850.00	2,550.00
sessions paving company	rutherford	1	10/07/2016	2.00	EACH	600.00	1,200.00
civil constructors, inc.	rutherford	2	10/07/2016	2.00	EACH	440.00	880.00
hoover inc	rutherford	3	10/07/2016	2.00	EACH	1,000.00	2,000.00
jones bros. contractors, llc	montgomery	1	10/07/2016	8.00	EACH	400.00	3,200.00
civil constructors, inc.	montgomery	2	10/07/2016	8.00	EACH	462.00	3,696.00
sessions paving company	montgomery	3	10/07/2016	8.00	EACH	650.00	5,200.00
hoover inc	sumner	1	12/02/2016	1.00	EACH	400.00	400.00
lojac enterprises, inc.	sumner	2	12/02/2016	1.00	EACH	400.00	400.00
civil constructors, inc.	sumner	3	12/02/2016	1.00	EACH	457.60	457.60
charles deweese construction, inc.	sumner	4	12/02/2016	1.00	EACH	350.00	350.00
jones bros. contractors, llc	sumner	5	12/02/2016	1.00	EACH	400.00	400.00
eatherly group, inc.	sumner	6	12/02/2016	1.00	EACH	480.00	480.00
sessions paving company	sumner	7	12/02/2016	1.00	EACH	500.00	500.00
jarrett builders, inc.	sumner	8	12/02/2016	1.00	EACH	375.00	375.00
lojac enterprises, inc.	robertson	1	12/02/2016	3.00	EACH	350.00	1,050.00
charles deweese construction, inc.	robertson	2	12/02/2016	3.00	EACH	350.00	1,050.00
civil constructors, inc.	robertson	3	12/02/2016	3.00	EACH	400.40	1,201.20
sessions paving company	robertson	4	12/02/2016	3.00	EACH	500.00	1,500.00
civil constructors, inc.	smith	1	12/02/2016	3.00	EACH	750.00	2,250.00
charles blalock & sons, inc	smith	2	12/02/2016	3.00	EACH	785.35	2,356.05
charles deweese construction, inc.	smith	3	12/02/2016	3.00	EACH	315.00	945.00
jones brothers, inc.	smith	4	12/02/2016	3.00	EACH	400.00	1,200.00
wright brothers construction	smith	5	12/02/2016	3.00	EACH	2,300.00	6,900.00
company, inc.							
lojac enterprises, inc.	smith	6	12/02/2016	3.00	EACH	400.00	1,200.00
parchman construction compan	montgomery	1	12/02/2016	12.00	EACH	841.00	10,092.00
sessions paving company	montgomery	2	12/02/2016	12.00	EACH	650.00	7,800.00
civil constructors, inc.	montgomery	3	12/02/2016	12.00	EACH	470.00	5,640.00

**TENNESSEE
 PAY ITEM REPORT**

Gresham Smith & Partners

Date: 02/03/2017
 Time: 11:56:46

Pay Item: 209-08.08 ENHANCED ROCK CHECK DAM

TOTALS	High:	2,300.00	Wtd. Average:	507.89	Total Quan:	271.00	Count:	55
	Low:	298.91	Strt. Average:	541.08	Avg. Quan:	4.93	Median:	440.00
			Std Deviation:	320.31				

<i>Contractor</i>	<i>County</i>	<i>Position</i>	<i>Bid Date</i>	<i>Quantity</i>	<i>Unit</i>	<i>Unit Price</i>	<i>Extension</i>
-------------------	---------------	-----------------	-----------------	-----------------	-------------	-------------------	------------------

Report Settings

Selected Pay Item: 209-08.08 :enhanced rock check dam
 Include Bidders: All Bids
 Sel County/Region: DOT Region 3
 Include Lettings: Last 24 Months
 Quantity Range: From 0.00 to 20.00 EACH
 Omit High/Low Price: NO
 Averages Type: Weighted Average

**TENNESSEE
 PAY ITEM REPORT**

Date: 02/21/2017
 Time: 09:59:52

Gresham Smith & Partners

Pay Item: 209-09.01 SANDBAGS

TOTALS	High:	180.00	Wtd. Average:	7.94	Total Quan:	612.00	Count:	5
	Low:	5.00	Strt. Average:	43.66	Avg. Quan:	122.40	Median:	6.30
			Std Deviation:	76.46				

<i>Contractor</i>	<i>County</i>	<i>Position</i>	<i>Bid Date</i>	<i>Quantity</i>	<i>Unit</i>	<i>Unit Price</i>	<i>Extension</i>
dement construction co. llc	lincoln	1	05/15/2015	200.00	BAG	7.00	1,400.00
lincoln paving company llc	lincoln	2	05/15/2015	200.00	BAG	6.30	1,260.00
jones brothers, inc.	lincoln	3	05/15/2015	200.00	BAG	5.00	1,000.00
lojac enterprises, inc.	davidson	1	06/24/2016	6.00	BAG	20.00	120.00
civil constructors, inc.	davidson	2	06/24/2016	6.00	BAG	180.00	1,080.00

<u>Report Settings</u>	
Selected Pay Item:	209-09.01 :sandbags
Include Bidders:	All Bids
Sel County/Region:	DOT Region 3
Include Lettings:	Last 24 Months
Quantity Range:	From 0.00 to 200.00 BAG
Omit High/Low Price:	NO
Averages Type:	Weighted Average